



ACCESSIBILITY PRODUCTS | ARCHITECTURAL PRODUCTS | STREET FURNITURE
ENGINEERING COMPONENTS | STAIR NOSING | BOLLARDS | CYCLE RACKS

www.tactileindicators.in

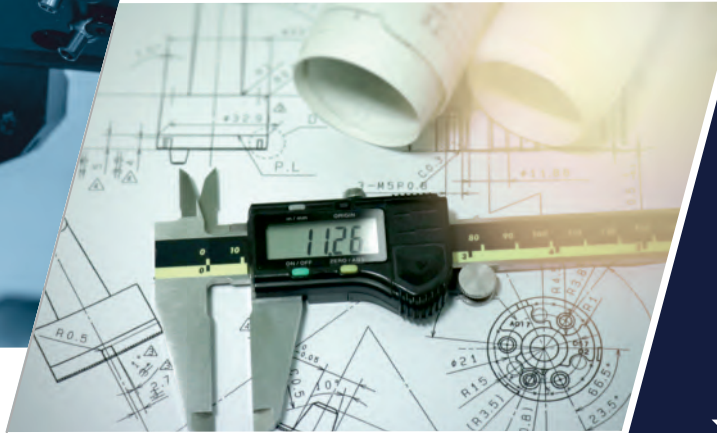


WE BELIEVE IN
BUILDING A BETTER
TOMORROW

WHO WE ARE

Eminent overseas is the first company in India that started to provide services of tactile paving. We work with the best architects, planners, and contractors. Quality Control is one of the prime focuses of Eminent overseas. We make sure the raw materials are authentic and genuine. All our products are machine finished getting the details as per the technological designs. Our goal is to create a world that is disabled friendly.

We offer various products which includes *Tactile Ground Surface Indicators, Accessibility products, Architectural Hardware, Street Furniture and Engineering Components, Stair Nosing, Bollards, Cycle Racks*. Even though our prime focus is on tactile indicators for accessibility, Cement paver blocks, wheel stops, and handrails are familiar architectural products that we design with utmost precision. Street furniture like bollards, bicycle racks, litter bins, park benches are being manufactured as per custom drawings and designs according to your project requirements.



At *Eminent Overseas*, we ensure that all raw materials are of the highest purity and authenticity. Our products are meticulously machine-finished to meet precise technical engineering designs. Our industry-leading attention to detail guarantees that architects, builders, designers, and specifiers can confidently select our products for their aesthetic appeal, quality, and regulatory compliance.

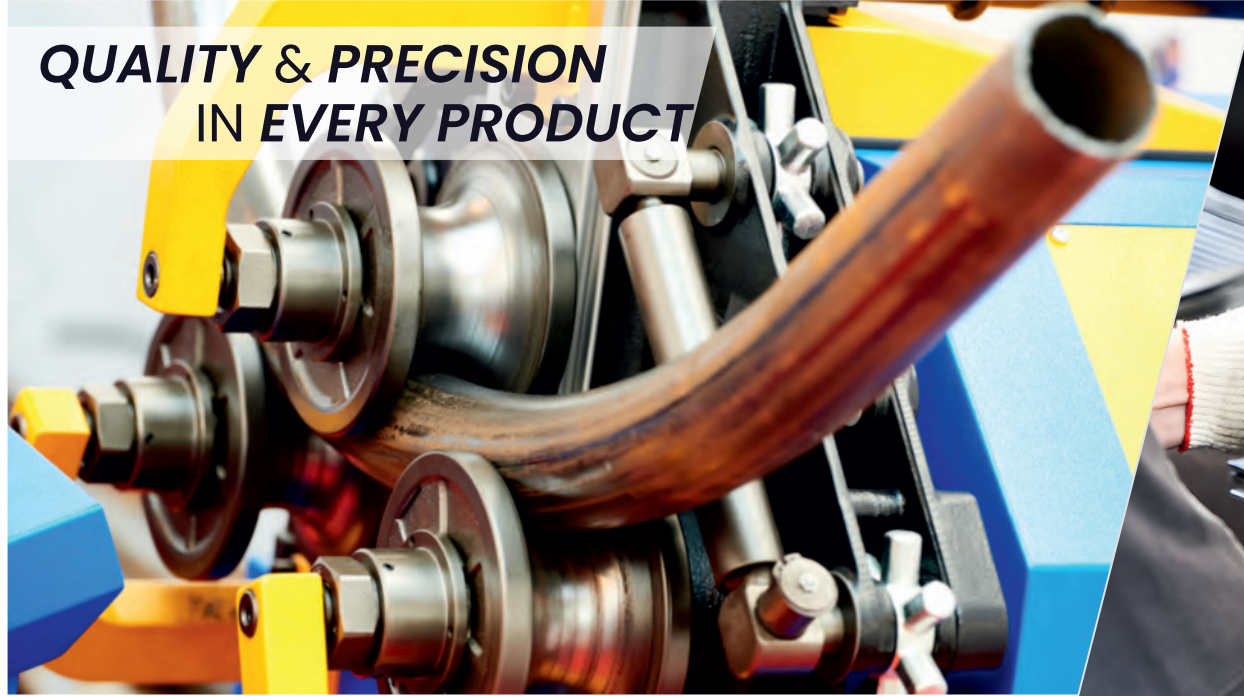
Our state-of-the-art manufacturing unit utilizes advanced techniques for a wide range of industrial applications, including:

- ▾ Hot & Cold Forging
- ▾ CNC Machining
- ▾ VMC Machining
- ▾ Casting
- ▾ Laser Cutting
- ▾ Pressing
- ▾ Bending
- ▾ Welding

Every product is crafted to align with exact technical specifications. We employ precise controls to operate and manipulate machines and cutting tools, shaping stock material with unparalleled accuracy. Our high-speed precision spindle units ensure tight-tolerance milling for consistent, reliable results.

All Our Products Are Machine Finished To
Get The Details As Per The Technical Designs.

QUALITY & PRECISION IN EVERY PRODUCT



Eminent Overseas delivers premium products, including Polyurethane Tactile Tiles, Stainless Steel Tactile Studs and Strips, Anti-Skate Studs, and Stainless Steel Edge Protectors. Our range also includes Bollards, Litter Bins, Bicycle Racks, and street furniture, crafted from quality materials like stainless steel, aluminium, and brass.

Our mission is to ensure essential public spaces are accessible, enhancing the quality of life for the visually impaired through our high-quality, client-focused approach.

Pioneering tactile paving solutions in India, we lead with expertise and compassion. Our dedicated team enhances accessibility in public and private spaces, collaborating with disability research experts to innovate tactile indicators tailored to their needs. Committed to excellence, we continually raise standards to deliver exceptional service. We specialize in completing the entire supply chain, from tailored design to installation, so you can focus on what you do best. We're here to offer you comfort during these toughest times by assisting you in any way we can.



ISO 14001 : 2015
EMS Certified



ISO 9001 : 2015
QMS Certified



ISO 45001 : 2018
QHS Certified



ISO 23599 : 2019
Assistive Products For Blinds



Project Management:

We manage the entire project, from supply to installation, ensuring seamless execution, timely delivery, and high-quality results for your complete satisfaction.



Expert Advice:

At Eminent Overseas we offers expert advice on product selection, custom design, layout creation and comprehensive installation assistance for seamless project execution.



Quality Assurance:

Our quality assurance team ensures every product meets the highest standards through rigorous testing, guaranteeing reliability and customer satisfaction.



Complimentary Samples:

We offer complimentary samples to customers, helping them select the best products for their projects with confidence and satisfaction.



Customized Products:

We specialize in manufacturing custom-designed products tailored to meet your specific requirements, ensuring quality and precision in every creation.



Rapid Delivery:

With a fully-stocked local factory we ensure we'll get you the right products when and where you need them. Rapid and timely delivery of products, meeting your project deadlines with reliability and efficiency.



Professional Installation Service:

Though our products are simple to install yourself, we offer expert installation services which is Reliable, efficient, and tailored to your needs. Enhance your project with our skilled professionals today.



Service & Support:

Our dedicated service and support team provides expert guidance, timely assistance, and comprehensive solutions to ensure your project's success and satisfaction.

OUR CLIENTS OUR PRIDE

Microsoft

Google

amazon



DLFA



CANDOR
TechSpace

Adobe

Abbott

unicef

BANK OF AMERICA

AECOM



LARSEN & TOUBRO

JLL

Brookfield
Properties

CBRE



EXPO 2020
DUBAI, UNITED ARAB EMIRATES



FIFA WORLD CUP
Qatar 2022



AIRPORTS



RAILWAYS



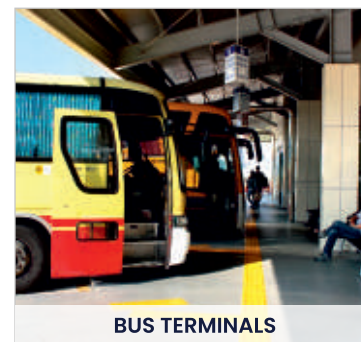
CORPORATE BUILDINGS



UNIVERSITIES



HOSPITALS



BUS TERMINALS



PUBLIC PLACES



WE ARE
PASSIONATE
AT WHAT
WE DO

TACTILE INDICATORS (TGSi)

 *WARNING STUDS*

 *DIRECTIONAL STRIPS*

 *INTEGRATED TACTILE TILES*

CIVIC ROAD STUDS

CIVIC SKATE DETTERENTS

CIVIC EDGE PROTECTORS

STAIR NOSING

ANTISLIP FLOOR TAPES

GRAB BARS

BOLLARDS

 *SURFACE MOUNTED BOLLARDS*

 *BELOW GROUND BOLLARDS*

 *REMOVABLE BOLLARDS*

 *FOLDABLE BOLLARDS*

BICYCLE RACKS

GENERAL NOTES ON ALL PRODUCTS

GENERAL MAINTENANCE GUIDELINES

03 - 19

21 - 36

37 - 48

49 - 55

57 - 61

63 - 66

67 - 72

73 - 74

75 - 78

81 - 91

92 - 97

98 - 104

105 - 107

109 - 116

117

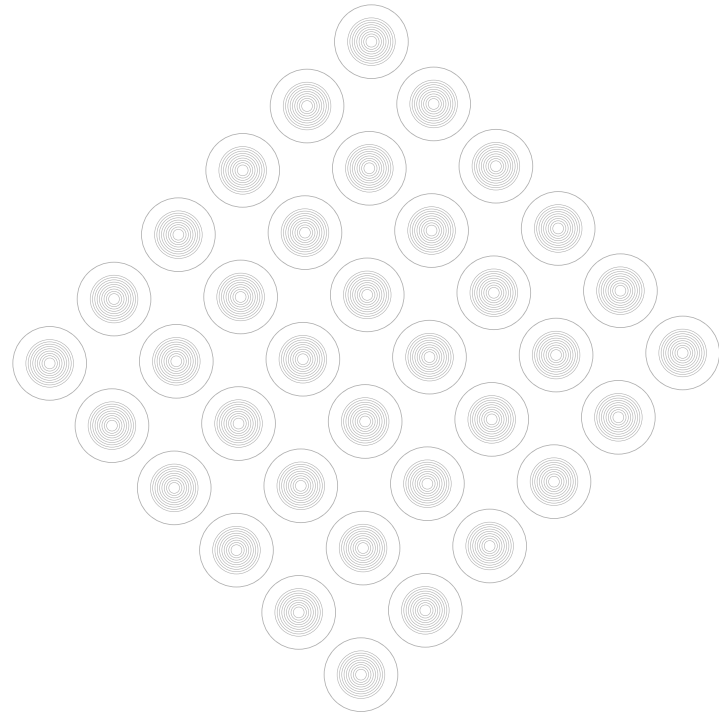
118



EMPOWERING **SPACES**
ENHANCING **LIVES**

A ONE-STOP SOLUTION
FOR ALL OF YOUR ARCHITECTURAL ACCESSIBILITY NEEDS





WARNING STUDS

We manufacture a versatile range of tactile warning and positional studs, designed for anti-slip and hazard indication purposes, aiding the visually impaired. Our studs come in various finishes, including concentric ring patterns, diamond patterns, carborundum inserts, and poly inserts, ensuring maximum grip and safety. These tactile indicators are perfect for use in public spaces such as sidewalks, pedestrian crossings, and transit hubs, providing essential tactile cues to navigate safely. Crafted from high-quality materials, our studs are durable and meet international standards for accessibility. With a focus on innovation and practicality, Eminent Overseas enhances the safety and independence of visually impaired individuals, ensuring a safer and more inclusive environment for all.



STEP INTO **SAFETY**
STEP INTO **STYLE**

TACTILE WARNING STUDS



- Individual Tactile Warning Studs
- Naturally beautiful aesthetic
- Ages gracefully
- Ideal for retrofitting
- High Quality Material Choices Like Stainless Steel, Brass, Aluminium & UV Stabilized Polyurethane
- Expansive range that includes self-adhesive, PVD Coating & Carborundum options
- Suitable For Interior and Exterior Applications
- Better slip resistance that suits your project's needs



SKU : ET-WTS001

STAINLESS STEEL SOLID STUD WITH CONCENTRIC RINGS & MACHINED STEM



SKU : ET-WTS003

STAINLESS STEEL HOLLOW BACK STUD WITH CONCENTRIC RINGS & WELDED STEM



SKU : ET-WTS021

ALUMINIUM SOLID STUD WITH CONCENTRIC RINGS & MACHINED STEM



SKU : ET-WTS023

BRASS SOLID STUD WITH CONCENTRIC RINGS & MACHINED STEM



SKU : ET-WTS012

STAINLESS STEEL SOLID STUD WITH PLAIN TOP & MACHINED STEM



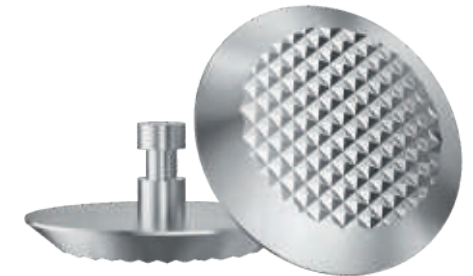
SKU : ET-WTS013

STAINLESS STEEL SOLID STUD WITH CONCENTRIC RINGS ON EDGE & TOP WITH MACHINED STEM



SKU : ET-WTS005

STAINLESS STEEL SOLID STUD WITH CONCENTRIC RINGS & WELDED STEM



SKU : ET-WTS009

STAINLESS STEEL SOLID STUD WITH DIAMOND PATTERN & MACHINED STEM

BASE MATERIAL OPTIONS

Stainless Steel 316 / Stainless Steel 304 / Brass / Aluminium

SUITABLE FOR SUBSTRATES

Stone, Masonry, Timber, Marble, Granite, Metals

INSTALLATION METHOD

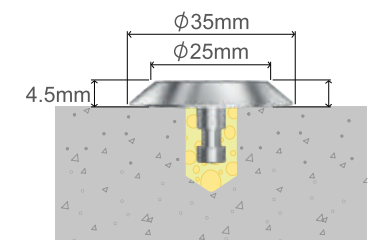
Drill Hole With Diamond Core And Fix With Adhesive

RECOMMENDED LOCATION

Indoor Or Outdoor

TYPICAL INSTALLATION VIEW

Drill Hole & Fix with Adhesive



Floor Substrate

TACTILE WARNING STUDS

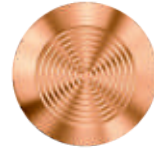
Z-BLACK



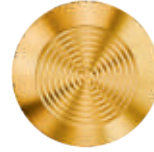
SKU : ET-WTS014

STAINLESS STEEL PVD COATED SOLID STUD WITH CONCENTRIC RINGS & MACHINED STEM

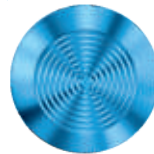
BRONZE



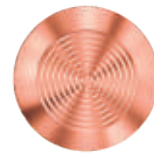
GOLD



BLUE



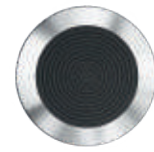
ROSE GOLD



SKU : ET-WTS016

STAINLESS STEEL SOLID STUD WITH CONCENTRIC RINGS POLY INSERT & MACHINED STEM

BLACK



GREY



TERRACOTTA



RED



SKU : ET-WTS017

STAINLESS STEEL SOLID STUD WITH CONCENTRIC RINGS POLY EDGE & MACHINED STEM

BLACK



GREY



TERRACOTTA



RED



SKU : ET-WTS018

STAINLESS STEEL SOLID STUD WITH CARBORUNDUM INSERT & MACHINED STEM



SKU : ET-WTS025

BRASS SOLID STUD WITH CARBORUNDUM INSERT & MACHINED STEM

TACTILE WARNING STUDS

BLACK



GREY



TERRACOTTA



RED



BLACK



GREY



TERRACOTTA



RED



BASE MATERIAL OPTIONS

Stainless Steel 316 / Stainless Steel 304 / Brass / Aluminium

SUITABLE FOR SUBSTRATES

Stone, Masonry, Timber, Marble, Granite, Metals

INSTALLATION METHOD

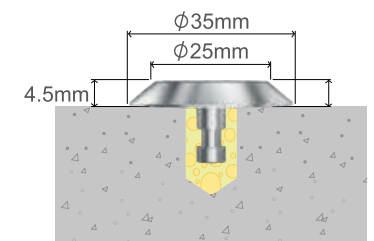
Drill Hole With Diamond Core And Fix With Adhesive

RECOMMENDED LOCATION

Indoor Or Outdoor

TYPICAL INSTALLATION VIEW

Drill Hole & Fix with Adhesive



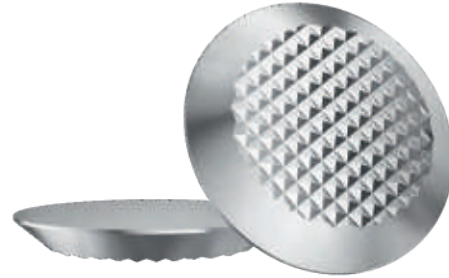
Floor Substrate

TACTILE WARNING STUDS



▼ **SKU : ET-WTS007**

STAINLESS STEEL SOLID STUD WITH CONCENTRIC RINGS & FLAT BACK



▼ **SKU : ET-WTS010**

STAINLESS STEEL SOLID STUD WITH DIAMOND PATTERN & FLAT BACK



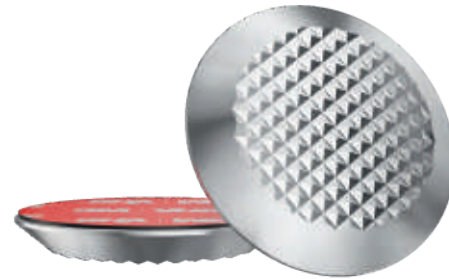
▼ **SKU : ET-WTS019**

STAINLESS STEEL STUD WITH CARBORUNDUM INSERT & FLAT BACK



▼ **SKU : ET-WTS008**

STAINLESS STEEL SELF ADHESIVE SOLID STUD WITH CONCENTRIC RINGS



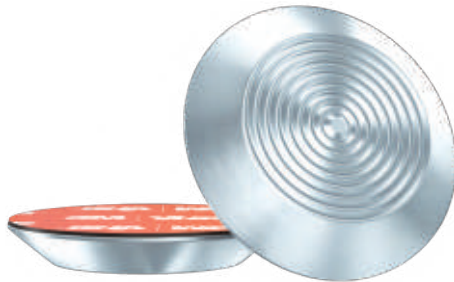
▼ **SKU : ET-WTS011**

STAINLESS STEEL SELF ADHESIVE SOLID STUD WITH DIAMOND PATTERN



▼ **SKU : ET-WTS020**

STAINLESS STEEL SELF ADHESIVE STUD WITH CARBORUNDUM INSERT



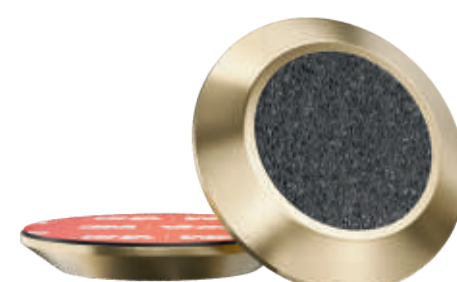
▼ **SKU : ET-WTS022**

ALUMINIUM SELF ADHESIVE SOLID STUD WITH CONCENTRIC RINGS



▼ **SKU : ET-WTS024**

BRASS SELF ADHESIVE SOLID STUD WITH CONCENTRIC RINGS



▼ **SKU : ET-WTS026**

BRASS SELF ADHESIVE STUD WITH CARBORUNDUM INSERT

TACTILE WARNING STUDS

BLACK



GREY



TERRACOTTA



RED



BLACK



GREY



TERRACOTTA



RED



BLACK



GREY



TERRACOTTA



RED



TACTILE WARNING STUDS



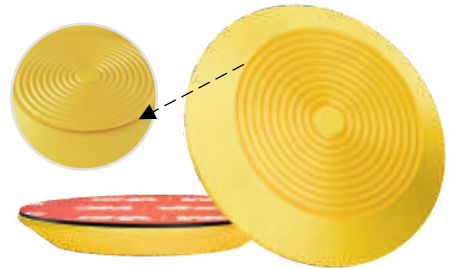
SKU : ET-WTS015

STAINLESS STEEL PVD COATED SELF ADHESIVE SOLID STUD WITH CONCENTRIC RINGS



SKU : ET-WTS029

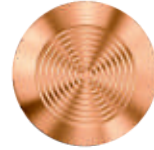
POLYURETHANE SELF ADHESIVE STUD WITH CONCENTRIC RINGS



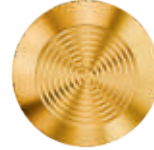
SKU : ET-WTS044

POLYURETHANE SELF ADHESIVE STUD WITH CONCENTRIC RINGS & LEAP ON TOP

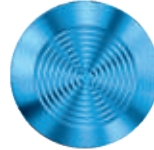
BRONZE



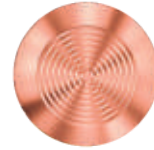
GOLD



BLUE



ROSE GOLD



BLACK



GREY



TERRACOTTA



RED



BLACK



GREY



TERRACOTTA



RED



BASE MATERIAL OPTIONS

Stainless Steel 316 / Stainless Steel 304 / Brass / Aluminium / Polyurethane

SUITABLE FOR SUBSTRATES

Stone, Marble, Granite, Metals, Ceramic Tiles, Vitrified Tiles

INSTALLATION METHOD

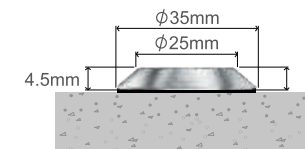
Peel & Stick / Stick With Adhesive

RECOMMENDED LOCATION

Indoor

TYPICAL INSTALLATION VIEW

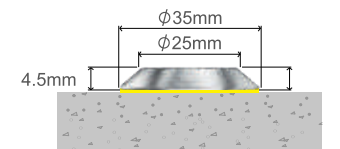
Fixing With Adhesive Tape



Floor Substrate

TYPICAL INSTALLATION VIEW

Fixing with Adhesive



Floor Substrate

TACTILE WARNING STUDS



SKU : ET-WTS002

STAINLESS STEEL SOLID STUD WITH CONCENTRIC RINGS & PRESSURE FIT POLY MOLDED STEM



SKU : ET-WTS004

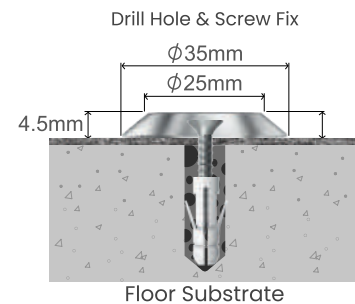
STAINLESS STEEL HOLLOW BACK STUD WITH CONCENTRIC RINGS & PRESSURE FIT POLY MOLDED STEM



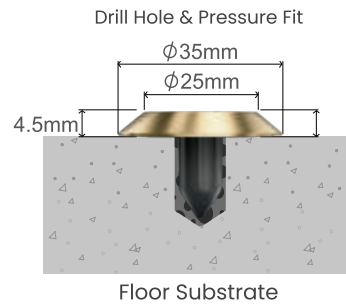
SKU : ET-WTS027

BRASS SOLID STUD WITH CONCENTRIC RINGS & PRESSURE FIT POLY MOLDED STEM

TYPICAL INSTALLATION VIEW



TYPICAL INSTALLATION VIEW



SKU : ET-WTS006

STAINLESS STEEL SOLID FLAT BACK STUD WITH CONCENTRIC RINGS & FOR CARPET FLOORS



SKU : ET-WTS028

POLYURETHANE STUD WITH CONCENTRIC RINGS & STEM



SKU : ET-WTS043

POLYURETHANE STUD WITH CONCENTRIC RINGS & LEAP ON TOP & STEM

BASE MATERIAL OPTIONS

Polyurethane / Engineered Thermoplastic

SUITABLE FOR SUBSTRATES

Stone, Masonry, Timber, Marble, Granite, Metals

INSTALLATION METHOD

Drill Hole With Diamond Core And Fix With Adhesive

RECOMMENDED LOCATION

Indoor Or Outdoor

TACTILE WARNING STUDS

BLACK



GREY



TERRACOTTA



RED



BLACK



GREY



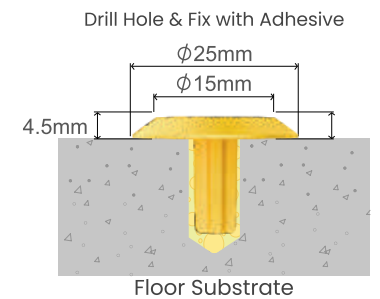
TERRACOTTA



RED



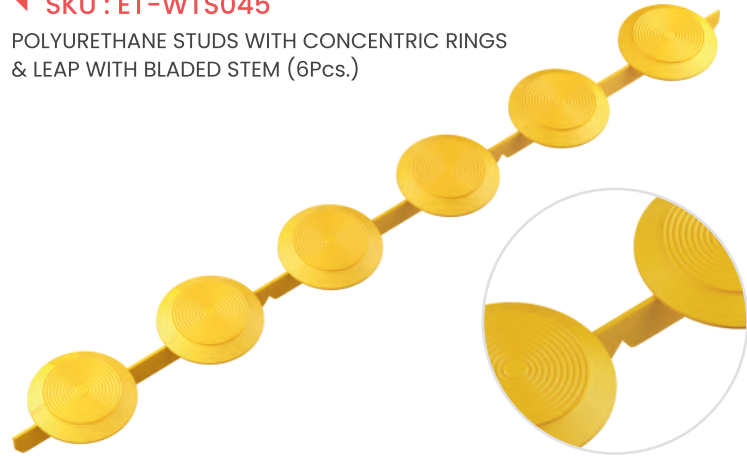
TYPICAL INSTALLATION VIEW



TACTILE WARNING STUDS

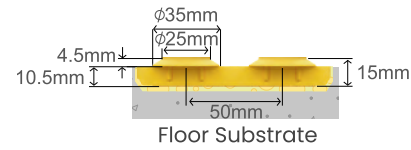
SKU : ET-WTS045

POLYURETHANE STUDS WITH CONCENTRIC RINGS & LEAP WITH BLADED STEM (6Pcs.)



TYPICAL INSTALLATION VIEW
Drill Hole & Fix with Adhesive

CUT FLOOR & FIX WITH ADHESIVE



BLACK



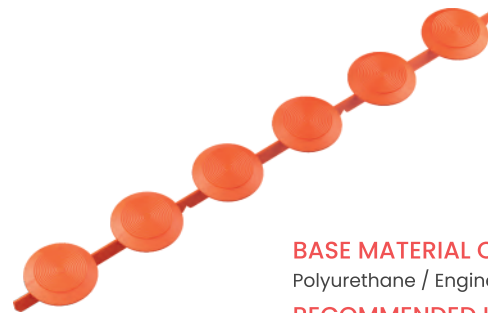
GREY



RED



TERRACOTTA



BASE MATERIAL OPTIONS

Polyurethane / Engineered Thermoplastic

RECOMMENDED LOCATION

Indoor Or Outdoor

TACTILE WARNING STUDS

SKU : ET-WTS030

STAINLESS STEEL POSITIONAL STUD WITH CONCENTRIC RINGS & MACHINED STEM



SKU : ET-WTS032

STAINLESS STEEL SELF ADHESIVE POSITIONAL STUD WITH LEAP & CARBORUNDUM INSERT



BASE MATERIAL OPTIONS

Stainless Steel 316 / Stainless Steel 304 / Brass / Aluminium

SUITABLE FOR SUBSTRATES

Stone, Masonry, Timber, Marble, Granite, Metals

INSTALLATION METHOD

Drill Hole With Diamond Core And Fix With Adhesive

RECOMMENDED LOCATION

Indoor Or Outdoor

SKU : ET-WTS031

STAINLESS STEEL POSITIONAL STUD WITH PLAIN TOP & MACHINED STEM



SKU : ET-WTS033

STAINLESS STEEL POSITIONAL STUD WITH LEAP & CARBORUNDUM INSERT & MACHINED STEM



BLACK



GREY



TERRACOTTA

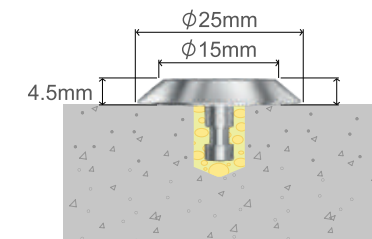


RED



TYPICAL INSTALLATION VIEW

Drill Hole & Fix with Adhesive



Floor Substrate



SKU : ET-WTS034

STAINLESS STEEL TRUNCATED DOMES WITH CONCENTRIC RINGS & MACHINED STEM

SKU : ET-WTS035

STAINLESS STEEL TRUNCATED DOMES WITH DIAMOND PATTERN & MACHINED STEM

SKU : ET-WTS041

BRASS TRUNCATED DOMES WITH CONCENTRIC RINGS & MACHINED STEM

SKU : ET-WTS038

STAINLESS STEEL PVD COATED TRUNCATED DOMES WITH CONCENTRIC RINGS & MACHINED STEM



SKU : ET-WTS036

STAINLESS STEEL TRUNCATED DOMES WITH CARBORUNDUM INSERT & MACHINED STEM



SKU : ET-WTS042

ALUMINIUM ANODIZED TRUNCATED DOMES WITH CONCENTRIC RINGS & MACHINED STEM



SKU : ET-WTS037

STAINLESS STEEL TRUNCATED DOMES WITH POLY EDGES & MACHINED STEM

BASE MATERIAL OPTIONS

Stainless Steel 316 / Stainless Steel 304 / Brass / Aluminium

SUITABLE FOR SUBSTRATES

Stone, Masonry, Timber, Marble, Granite, Metals

INSTALLATION METHOD

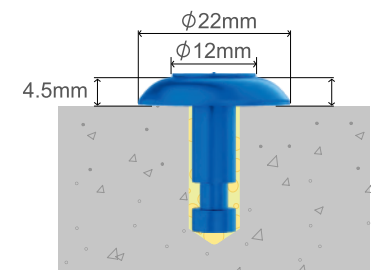
Drill Hole With Diamond Core And Fix With Adhesive

RECOMMENDED LOCATION

Indoor Or Outdoor

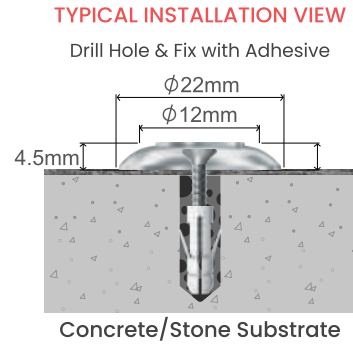
TYPICAL INSTALLATION VIEW

Drill Hole & Fix with Adhesive



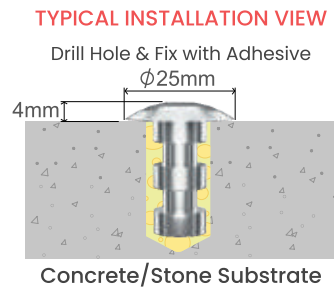
Concrete/Stone Substrate

TACTILE WARNING STUDS



SKU : ET-WTS039

STAINLESS STEEL TRUNCATED DOMES WITH FLAT BACK FOR CARPET FLOORS



SKU : ET-WTS040

STAINLESS STEEL TRUNCATED DOMES WITH 12MM THICK MACHINED STEM

BASE MATERIAL OPTIONS

Stainless Steel 316 / Stainless Steel 304 / Brass / Bronze / Aluminium

SUITABLE FOR SUBSTRATES

Stone, Masonry, Timber, Marble, Granite, Metals

INSTALLATION METHOD

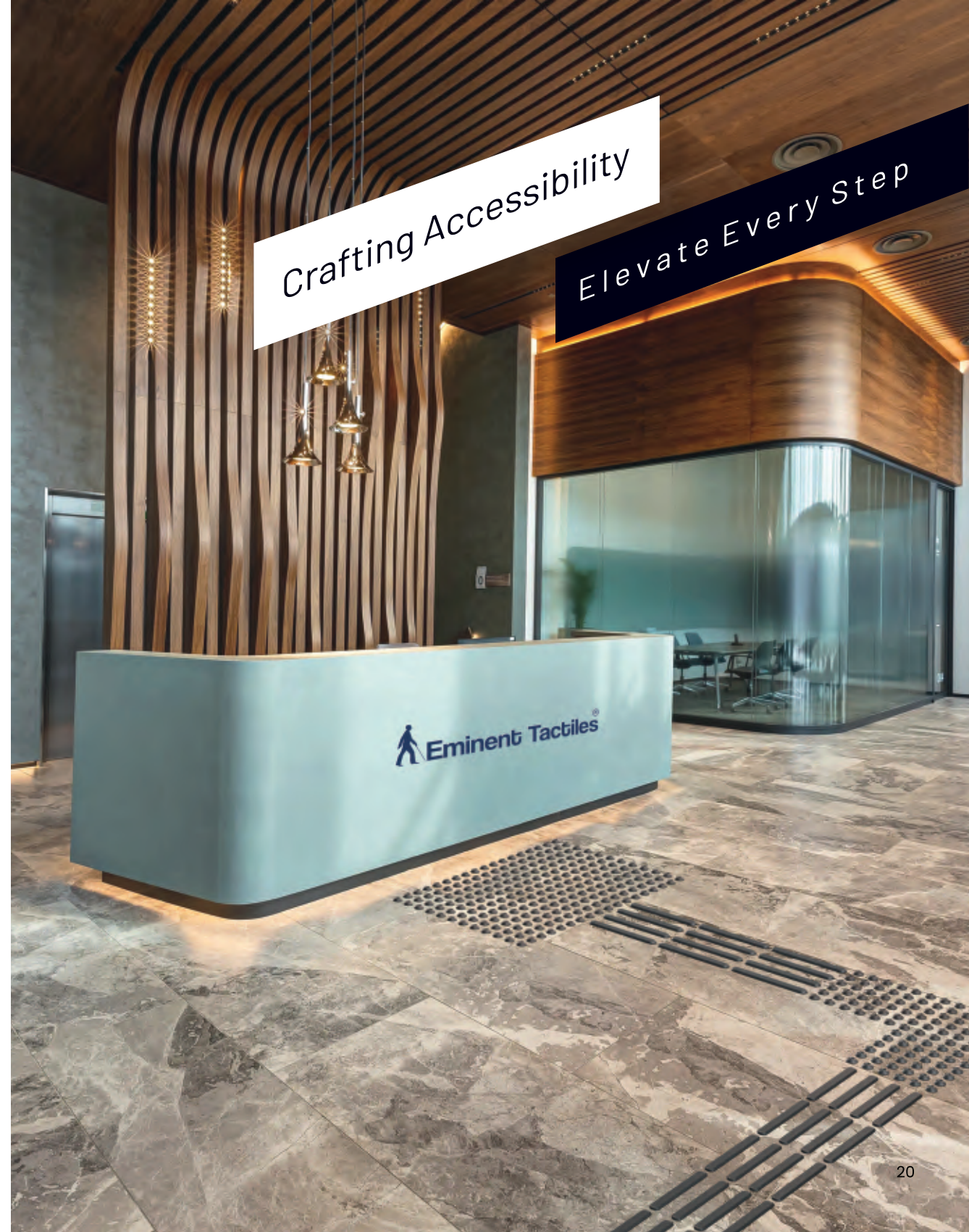
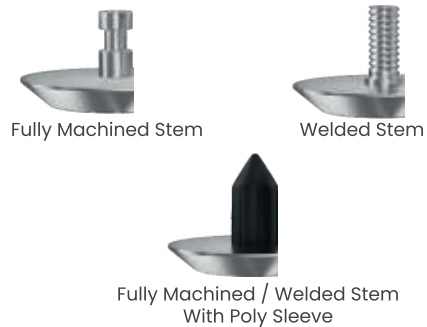
Drill Hole With Diamond Core And Fix With Adhesive

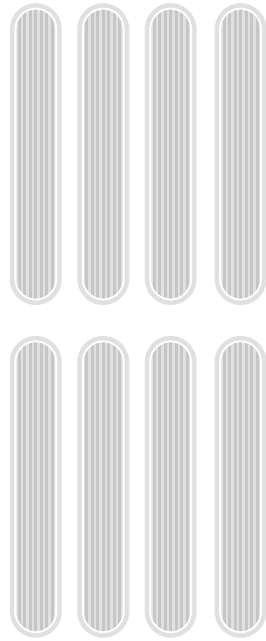
RECOMMENDED LOCATION

Indoor Or Outdoor

*All dimensions are shown in mm. All dimensions are subject to change without notice. Colours shown are as close to actual colours as printing processes allow.

FIXING STEM OPTIONS





DIRECTIONAL STRIPS

Eminent Overseas, pioneer in manufacturing a comprehensive range of tactile directional strips, designed to provide anti-slip surfaces and clear navigation cues for the visually impaired. Our tactile strips are available in various finishes, including linear patterns, diamond patterns, carborundum inserts, poly inserts, PVD coatings, and polyurethane materials. These tactile indicators are ideal for guiding individuals through public spaces such as sidewalks, transport terminals, and commercial areas, ensuring safe and efficient navigation. Crafted from high-quality, durable materials, our tactile directional strips meet international accessibility standards, offering reliability and long-lasting performance. We prioritize safety and inclusivity, providing innovative solutions that enhance the independence and mobility of visually impaired individuals in diverse environments.



INNOVATIVE **SAFETY**
FOR MODERN **SPACES**

TACTILE DIRECTIONAL STRIPS

- Individual Tactile Directional Strips
- Naturally beautiful aesthetic
- Ages gracefully
- Ideal for retrofitting
- High Quality Material Choices Like Stainless Steel, Brass, Aluminium & UV Stabilized Polyurethane
- Expansive range that includes self-adhesive, PVD Coating & Carborundum options
- Suitable For Interior and Exterior Applications
- Better slip resistance that suits your project's needs



SKU : ET-DTS001

STAINLESS STEEL LINEAR TOP MACHINE FINISH
SOLID STRIP WITH 3 WELDED MACHINED STEMS



SKU : ET-DTS002

STAINLESS STEEL LINEAR TOP MACHINE FINISH
HOLLOW BACK STRIP WITH 3 WELDED M6 STEMS



TACTILE DIRECTIONAL STRIPS

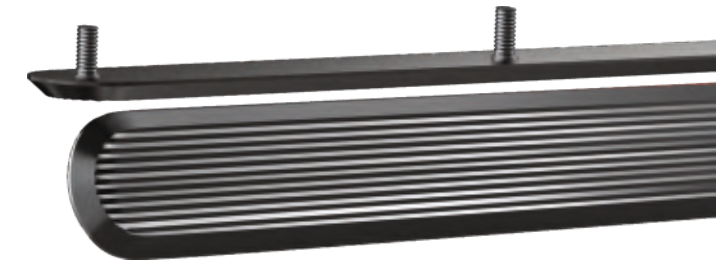
SKU : ET-DTS003

STAINLESS STEEL LINEAR TOP CASTING FINISH
SOLID STRIP WITH 3 STEMS



SKU : ET-DTS021

STAINLESS STEEL PVD COATED LINEAR TOP MACHINE FINISH
SOLID STRIP WITH 3 MACHINED STEMS



SKU : ET-DTS025

ALUMINIUM CLEAR ANODIZED LINEAR TOP
MACHINE FINISH SOLID STRIP WITH
3 MACHINED STEMS



BASE MATERIAL OPTIONS

Stainless Steel 316 / Stainless Steel 304 / Brass / Aluminium

SUITABLE FOR SUBSTRATES

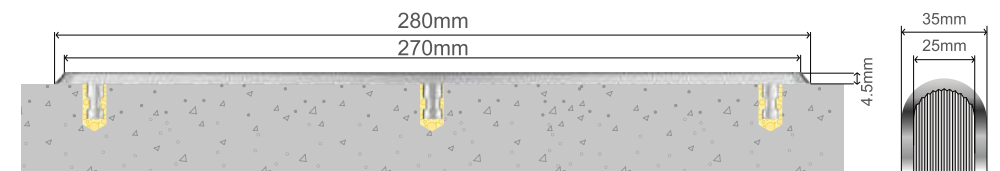
Stone, Masonry, Timber, Marble, Granite, Metals

INSTALLATION METHOD

Drill 3x Holes With Diamond Core And Fix With Adhesive

RECOMMENDED LOCATION

Indoor Or Outdoor



Floor Substrate

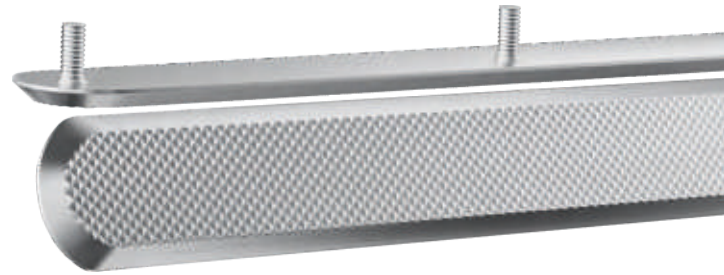
SKU : ET-DTS027

BRASS LINEAR TOP MACHINE FINISH
SOLID STRIP WITH 3 WELDED MACHINED STEMS



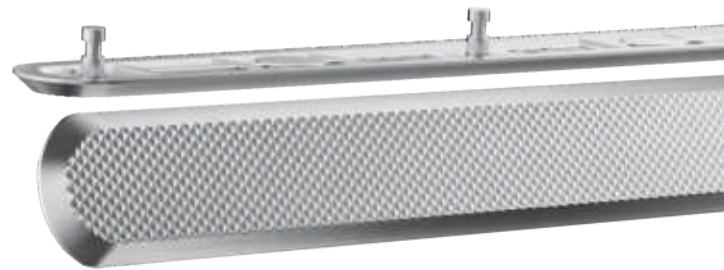
SKU : ET-DTS008

STAINLESS STEEL DIAMOND TOP MACHINE FINISH
SOLID STRIP WITH 3 WELDED MACHINED STEMS



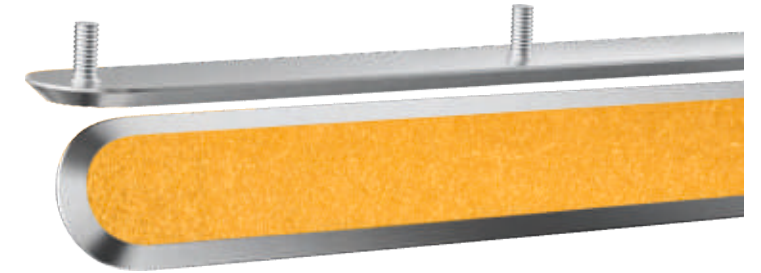
SKU : ET-DTS009

STAINLESS STEEL DIAMOND TOP CASTING FINISH
SOLID STRIP WITH 3 STEMS



SKU : ET-DTS014

STAINLESS STEEL CARBORUNDUM TOP MACHINE FINISH
SOLID STRIP WITH 3 WELDED MACHINED STEMS



SKU : ET-DTS017

STAINLESS STEEL POLY TOP MACHINE FINISH
SOLID STRIP WITH 3 WELDED MACHINED STEMS



BASE MATERIAL OPTIONS

Stainless Steel 316 / Stainless Steel 304 / Brass / Aluminium

SUITABLE FOR SUBSTRATES

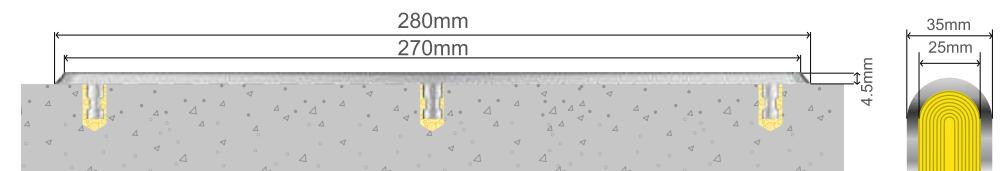
Stone, Masonry, Timber, Marble, Granite, Metals

INSTALLATION METHOD

Drill 3x Holes With Diamond Core And Fix With Adhesive

RECOMMENDED LOCATION

Indoor Or Outdoor



Floor Substrate

SKU : ET-DTS023

STAINLESS STEEL LINEAR TOP MACHINE FINISH
SOLID STRIP WITH 3 WELDED MACHINED STEMS



SKU : ET-DTS024

STAINLESS STEEL CARBORUNDUM TOP MACHINE FINISH
SOLID STRIP WITH 3 WELDED MACHINED STEMS



BASE MATERIAL OPTIONS

Stainless Steel 316 / Stainless Steel 304 / Brass / Aluminium

SUITABLE FOR SUBSTRATES

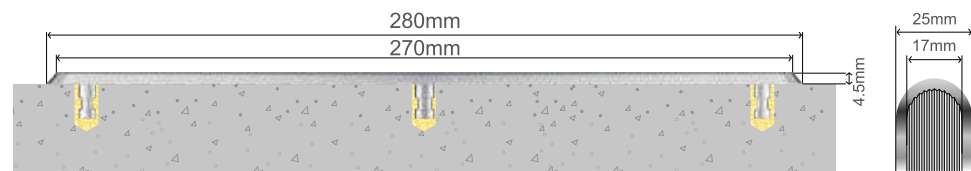
Stone, Masonry, Timber, Marble, Granite, Metals

INSTALLATION METHOD

Drill hole with diamond core and fix with adhesive

RECOMMENDED LOCATION

Indoor Or Outdoor



Floor Substrate

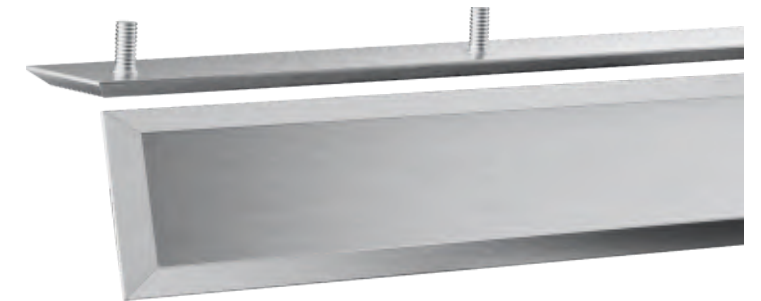
SKU : ET-DTS019

STAINLESS STEEL LINEAR TOP MACHINE FINISH
SOLID SQUARE STRIP WITH 3 WELDED MACHINED STEMS



SKU : ET-DTS020

STAINLESS STEEL PLAIN TOP MACHINE FINISH
SOLID SQUARE STRIP WITH 3 WELDED MACHINED STEMS



BASE MATERIAL OPTIONS

Stainless Steel 316 / Stainless Steel 304 / Brass / Aluminium

SUITABLE FOR SUBSTRATES

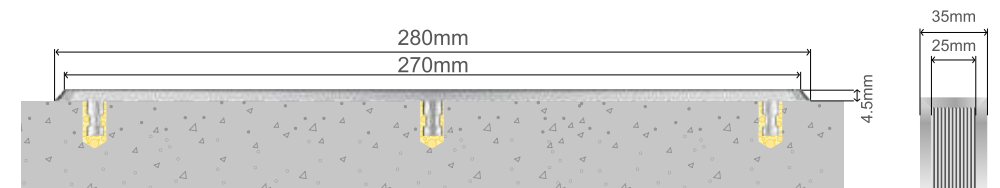
Stone, Masonry, Timber, Marble, Granite, Metals

INSTALLATION METHOD

Drill 3x Holes With Diamond Core And Fix With Adhesive

RECOMMENDED LOCATION

Indoor Or Outdoor



Floor Substrate

SKU : ET-DTS004

STAINLESS STEEL LINEAR TOP MACHINE FINISH SOLID STRIP WITH 3 WELDED MACHINED STEMS WITH PRESSURE FIT POLY SLEEVES



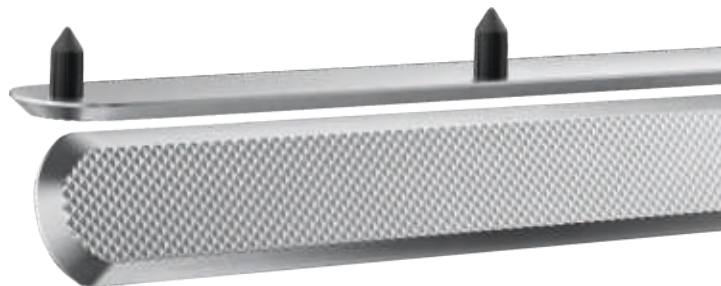
SKU : ET-DTS005

STAINLESS STEEL LINEAR TOP CASTING FINISH SOLID STRIP WITH 3 STEMS WITH PRESSURE FIT POLY SLEEVES



SKU : ET-DTS010

STAINLESS STEEL DIAMOND TOP CASTING FINISH SOLID STRIP WITH 3 WELDED STEMS WITH PRESSURE FIT POLY SLEEVES



SKU : ET-DTS011

STAINLESS STEEL DIAMOND TOP CASTING FINISH SOLID STRIP WITH 3 STEMS WITH PRESSURE FIT POLY SLEEVES



SKU : ET-DTS015

STAINLESS STEEL CARBORUNDUM TOP CASTING FINISH SOLID STRIP WITH 3 STEMS WITH PRESSURE FIT POLY SLEEVES



BASE MATERIAL OPTIONS

Stainless Steel 316 / Stainless Steel 304 / Brass / Aluminium

SUITABLE FOR SUBSTRATES

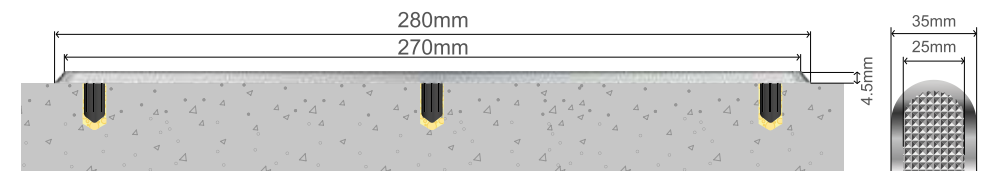
Stone, Masonry, Timber, Marble, Granite, Metals

INSTALLATION METHOD

Drill 3x Holes With Diamond Core And Pressure Fix

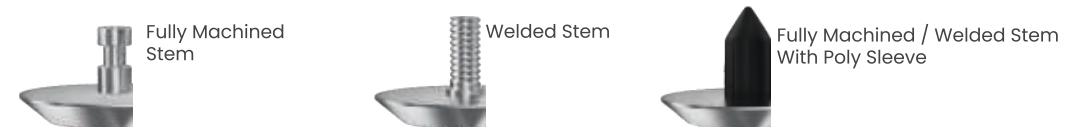
RECOMMENDED LOCATION

Indoor Or Outdoor



Floor Substrate

FIXING STEM OPTIONS



SKU : ET-DTS007

STAINLESS STEEL LINEAR TOP MACHINE FINISH
SOLID STRIP WITH FLAT BACK FOR CARPET FLOORS



SKU : ET-DTS013

STAINLESS STEEL DIAMOND TOP MACHINE FINISH
SOLID STRIP WITH FLAT BACK FOR CARPET FLOORS



SKU : ET-DTS006

STAINLESS STEEL LINEAR TOP SELF ADHESIVE
MACHINE FINISH SOLID STRIP



SKU : ET-DTS022

STAINLESS STEEL PVD COATED LINEAR TOP SELF ADHESIVE
MACHINE FINISH SOLID STRIP



SKU : ET-DTS026

ALUMINIUM CLEAR ANODIZED LINEAR TOP SELF ADHESIVE
MACHINE FINISH SOLID STRIP



BASE MATERIAL OPTIONS

Stainless Steel 316 / Stainless Steel 304 / Brass / Aluminium

SUITABLE FOR SUBSTRATES

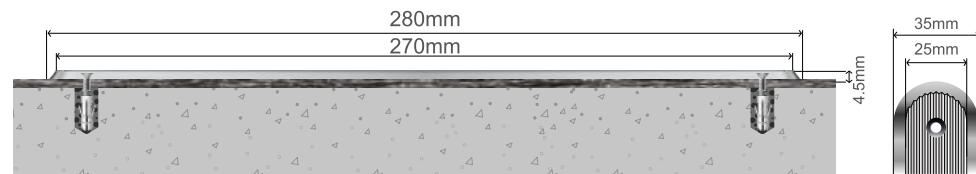
Stone, Masonry, Timber, Marble, Granite, Metals, Carpet

INSTALLATION METHOD

Drill 2x Holes With Diamond Core And Fix With Screws

RECOMMENDED LOCATION

Indoor Or Outdoor



Floor Substrate

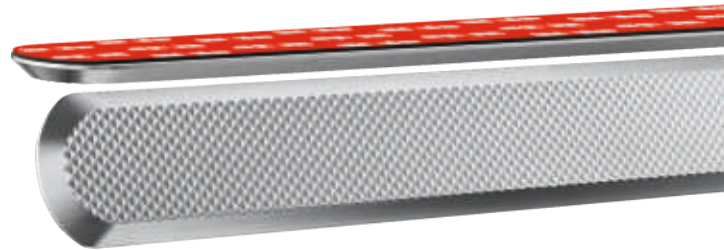
SKU : ET-DTS028

BRASS LINEAR TOP SELF ADHESIVE MACHINE FINISH SOLID STRIP



SKU : ET-DTS012

STAINLESS STEEL DIAMOND TOP SELF ADHESIVE MACHINE FINISH SOLID STRIP



SKU : ET-DTS016

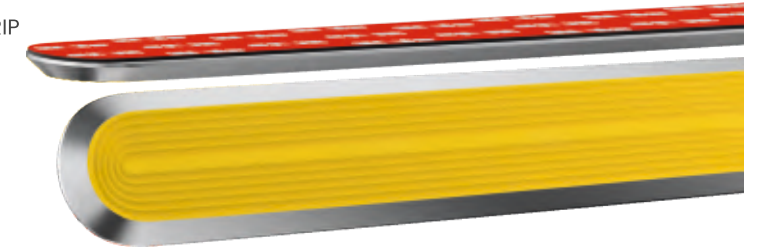
STAINLESS STEEL CARBORUNDUM TOP SELF ADHESIVE MACHINE FINISH STRIP



TACTILE DIRECTIONAL STRIPS

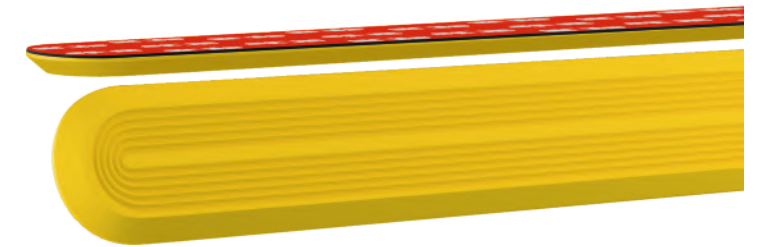
SKU : ET-DTS018

STAINLESS STEEL POLY TOP SELF ADHESIVE MACHINE FINISH SOLID STRIP



SKU : ET-DTS030

POLYURETHANE CONCENTRIC LINEAR TOP SELF ADHESIVE STRIP



SKU : ET-DTS032

POLYURETHANE CONCENTRIC LINEAR TOP SELF ADHESIVE STRIP WITH LEAP ON TOP



BASE MATERIAL OPTIONS

Stainless Steel 316 / Stainless Steel 304 / Brass / Aluminium / Polyurethane / Engineered Thermoplastic

SUITABLE FOR SUBSTRATES

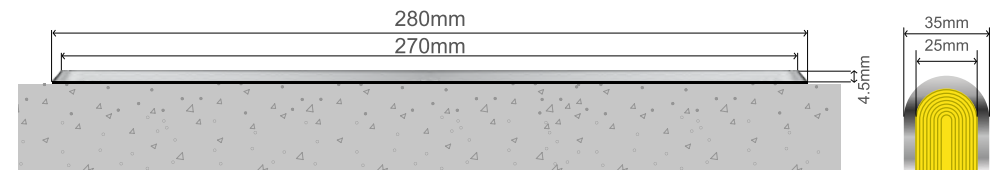
Stone, Marble, Granite, Metals, Ceramic Tiles, Vitrified Tiles

INSTALLATION METHOD

Peel & Stick On Floor

RECOMMENDED LOCATION

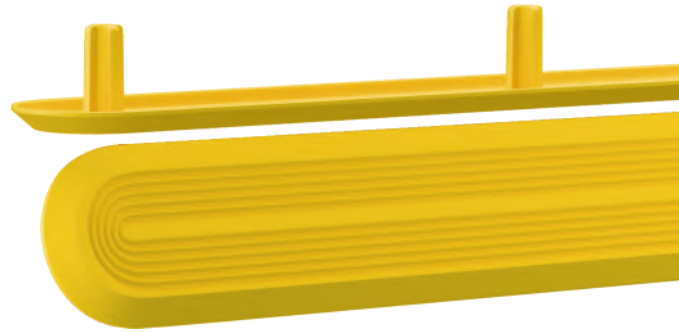
Indoor



Floor Substrate

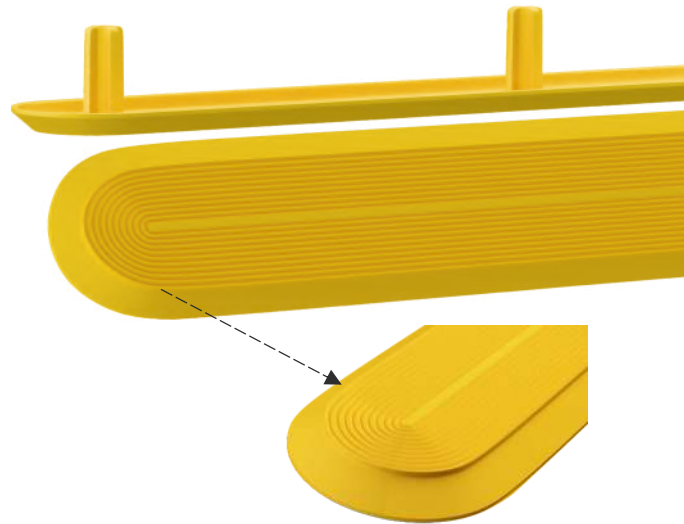
SKU : ET-DTS029

POLYURETHANE CONCENTRIC LINEAR TOP STRIP WITH 5 STEMS



SKU : ET-DTS031

POLYURETHANE CONCENTRIC LINEAR TOP STRIP WITH 5 STEMS & LEAP ON TOP



BASE MATERIAL OPTIONS

Polyurethane / Engineered Thermoplastic

SUITABLE FOR SUBSTRATES

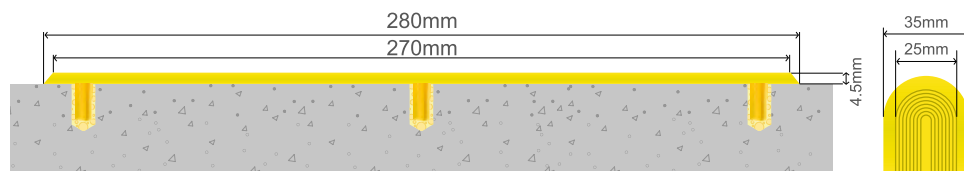
Stone, Masonry, Timber, Marble, Granite, Metals

INSTALLATION METHOD

Drill 3x Holes With Diamond Core And Fix With Adhesive

RECOMMENDED LOCATION

Indoor Or Outdoor



Floor Substrate

COLOR OPTIONS

SKU : ET-DTS021 SKU : ET-DTS022

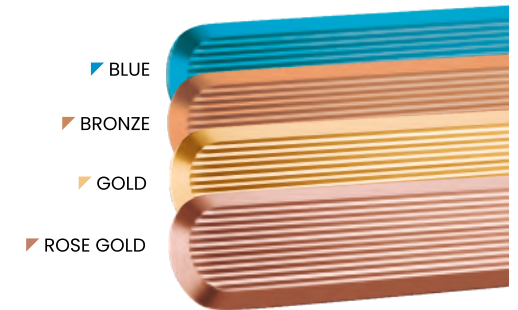
STAINLESS STEEL PVD COATED LINEAR TOP MACHINE FINISH SOLID STRIP WITH 3 MACHINED STEMS



COLOR OPTIONS

SKU : ET-DTS014 SKU : ET-DTS015
SKU : ET-DTS016 SKU : ET-DTS024

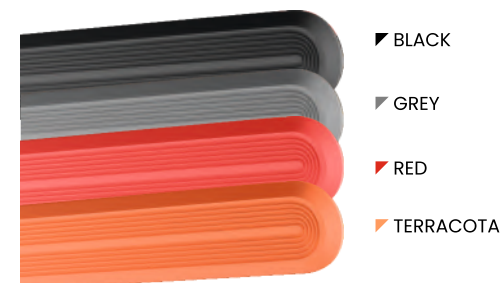
STAINLESS STEEL CARBORUNDUM TOP MACHINE FINISH SOLID STRIP WITH 3 WELDED MACHINED STEMS



COLOR OPTIONS

SKU : ET-DTS017 SKU : ET-DTS018

STAINLESS STEEL POLY TOP MACHINE FINISH SOLID STRIP WITH 3 WELDED MACHINED STEMS

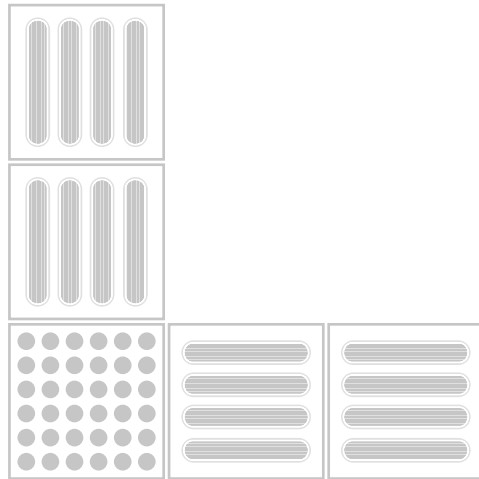


COLOR OPTIONS

SKU : ET-DTS029 SKU : ET-DTS031
SKU : ET-DTS030 SKU : ET-DTS032

POLYURETHANE CONCENTRIC LINEAR TOP SELF ADHESIVE STRIP





INTEGRATED TACTILE TILES

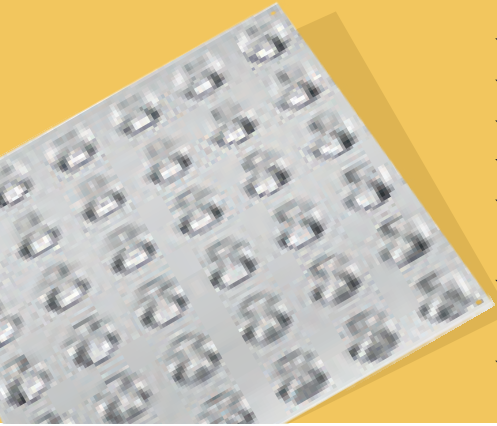
Eminent Overseas presents integrated tactile warning and directional tiles, specially designed to enhance safety and navigation for the visually impaired people. These integrated tactile tiles are available in a variety of anti-slip finishes, including linear and diamond patterns, carborundum inserts, poly inserts, PVD coatings, and polyurethane materials. Our self-adhesive polyurethane integrated tiles are globally recognized for their superior performance and ease of installation. Additionally, we offer durable concrete paver blocks and embossed tiles, providing versatile solutions for various environments. These tactile indicators are essential for public spaces, such as sidewalks, transport hubs, and commercial areas, offering clear warning signals and directional guidance. Committed to quality and accessibility, Eminent Overseas ensures that our products meet international standards, enhancing the mobility and safety of visually impaired individuals worldwide.



SETTING THE **STANDARD**
IN **ACCESSABILITY**

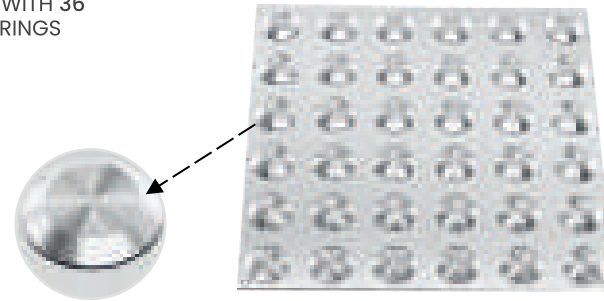
INTEGRATED TACTILE TILES

- ▼ Ultimate Solution For Unique & Creative Designs
- ▼ UV Resistant Colours & Finishes
- ▼ Large Range Of Colours To Suit All Aesthetics
- ▼ Peel and stick options for easy installation
- ▼ High Quality Material Choices Like Stainless Steel, Brass, Aluminium & UV Stabilized Polyurethane
- ▼ Expansive range that includes self-adhesive, PVD Coating & Carborundum options
- ▼ Suitable For Interior and Exterior Applications



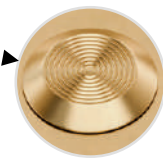
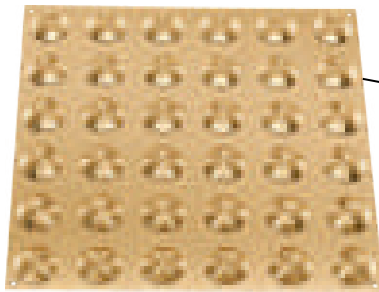
SKU : ET-ITT001

STAINLESS STEEL SOLID TACTILE WARNING TILE WITH 36 INTEGRATED STUDS FEATURING CONCENTRIC RINGS

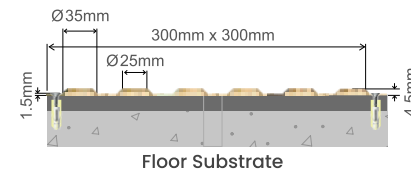


SKU : ET-ITT007

BRASS SOLID TACTILE WARNING TILE WITH 36 INTEGRATED STUDS FEATURING CONCENTRIC RINGS



TYPICAL INSTALLATION VIEW FOR TACTILE TILES



BASE MATERIAL OPTIONS

Stainless Steel 316 / Stainless Steel 304 / Brass

FIXING

Drill & Fix With Screws / 2 Ways Adhesive Tape / Heavy Duty Adhesive

SUITABLE FOR SUBSTRATES

Roads, Stone, Masonry, Timber, Vinyl, Vitrified, Porcelain, Ceramics, Glass, Metals

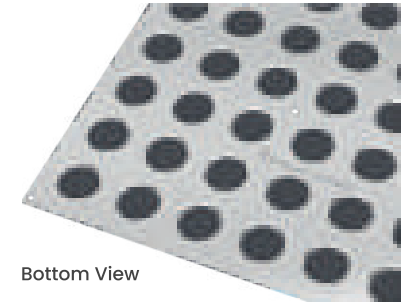
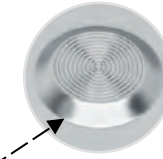
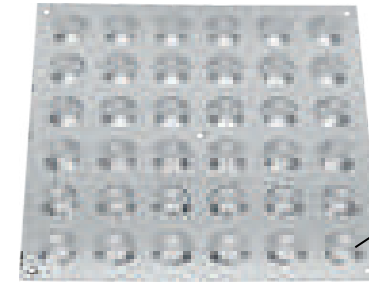
RECOMMENDED LOCATION

Indoor Or Outdoor

INTEGRATED TACTILE TILES

SKU : ET-ITT019

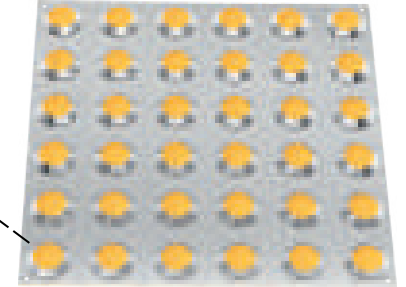
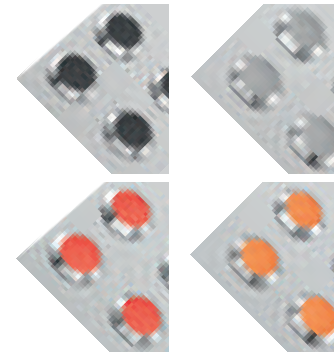
STAINLESS STEEL TACTILE WARNING TILE WITH 36 PUNCHED STUDS FEATURING CONCENTRIC RINGS ON TOP



Bottom View

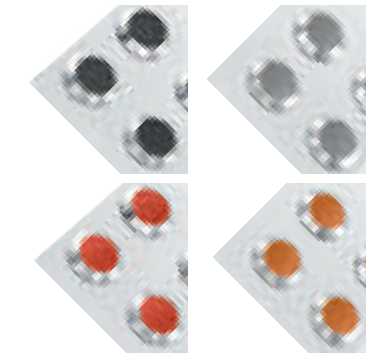
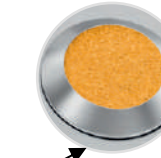
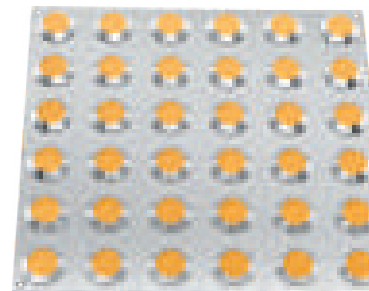
SKU : ET-ITT002

STAINLESS STEEL SOLID TACTILE WARNING TILE WITH 36 INTEGRATED STUDS FEATURING POLY INSERT ON TOP



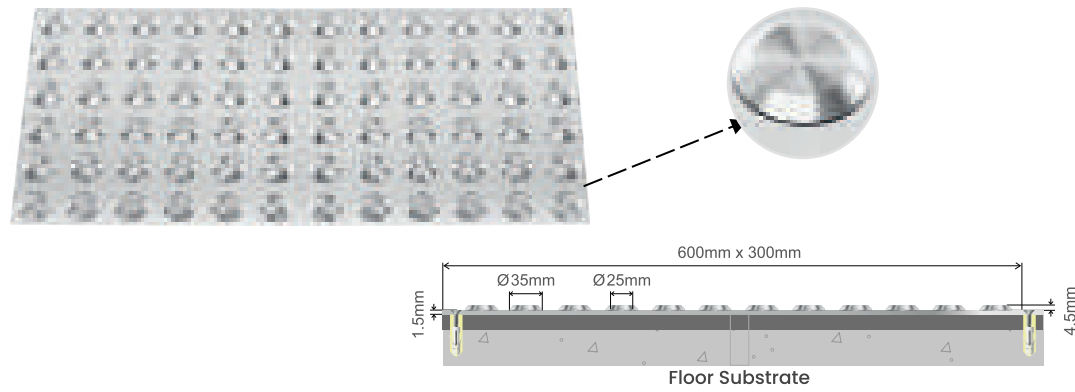
SKU : ET-ITT003

STAINLESS STEEL SOLID TACTILE WARNING TILE WITH 36 INTEGRATED STUDS FEATURING CARBORUNDUM INSERT ON TOP



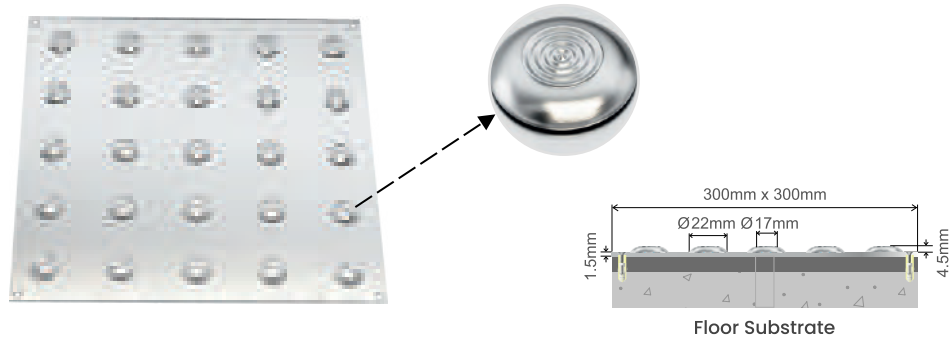
SKU : ET-ITT004

STAINLESS STEEL SOLID TACTILE WARNING TILE WITH 72 INTEGRATED STUDS FEATURING CONCENTRIC RINGS ON TOP



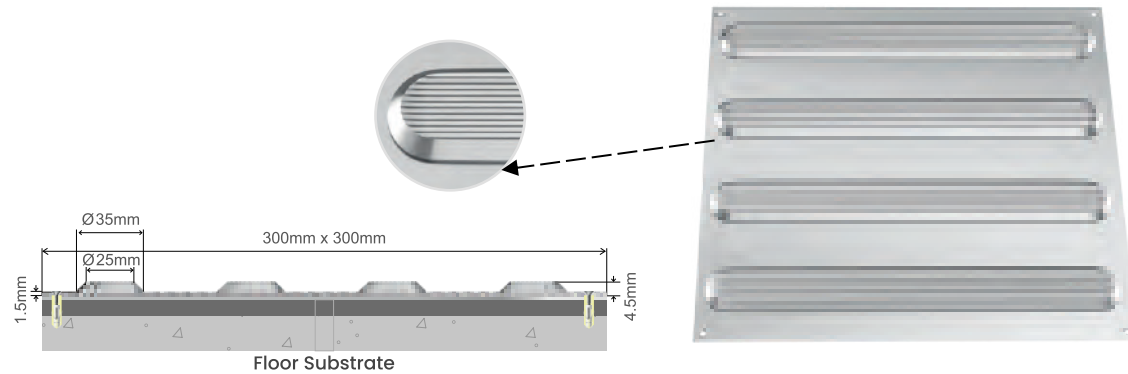
SKU : ET-ITT005

STAINLESS STEEL SOLID TACTILE WARNING TILE WITH 25 INTEGRATED TRUNCATED DOMES FEATURING CONCENTRIC RINGS ON TOP



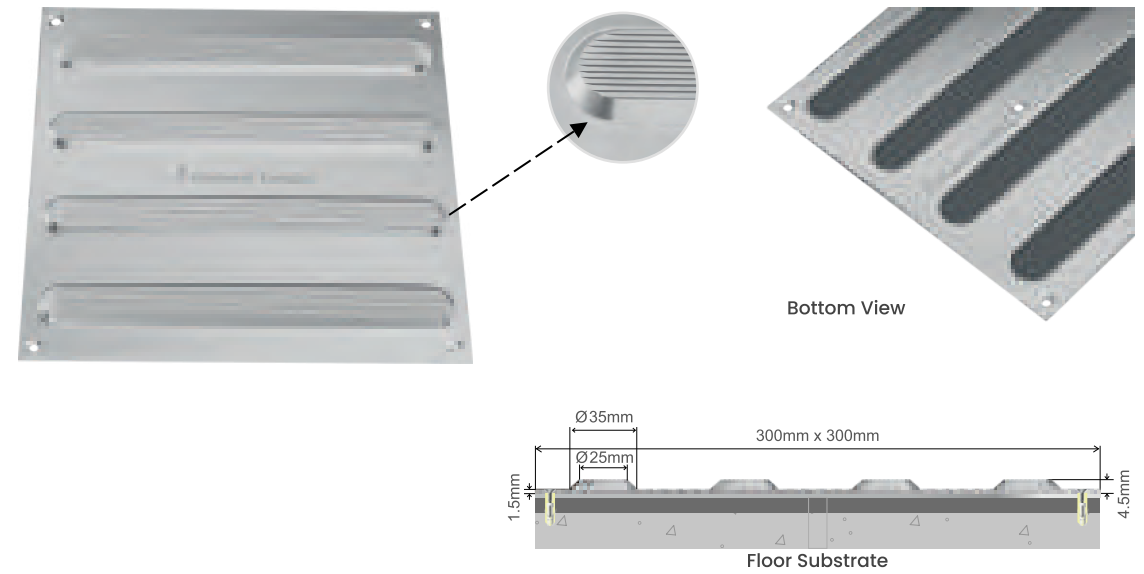
SKU : ET-ITT006

STAINLESS STEEL SOLID TACTILE DIRECTIONAL TILE WITH 4 INTEGRATED STRIPS FEATURING LINEAR TOP



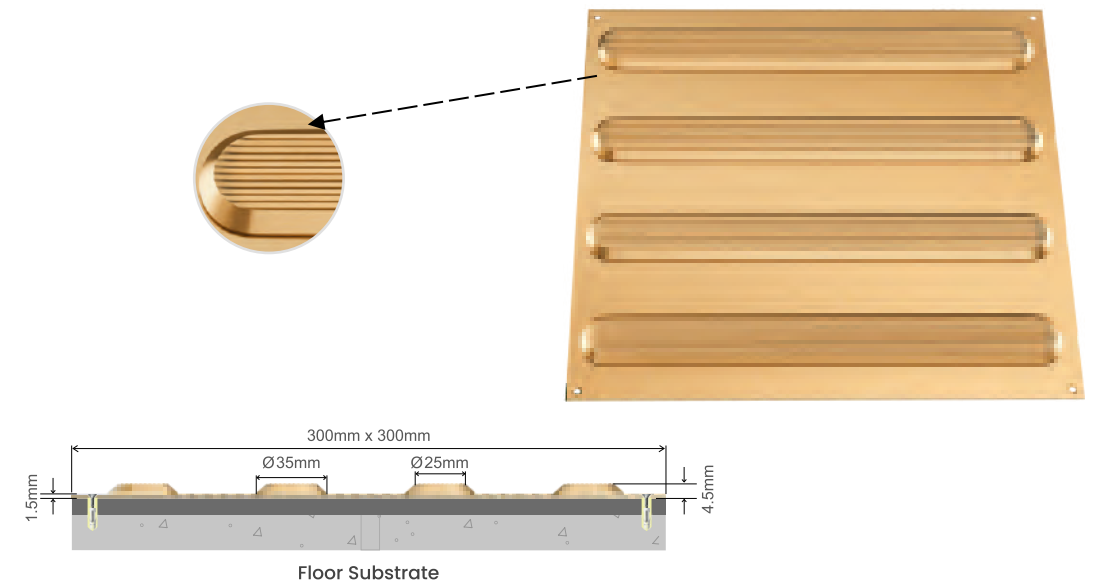
SKU : ET-ITT020

STAINLESS STEEL TACTILE DIRECTIONAL TILE WITH 4 PUNCHED STRIPS FEATURING LINEAR TOP



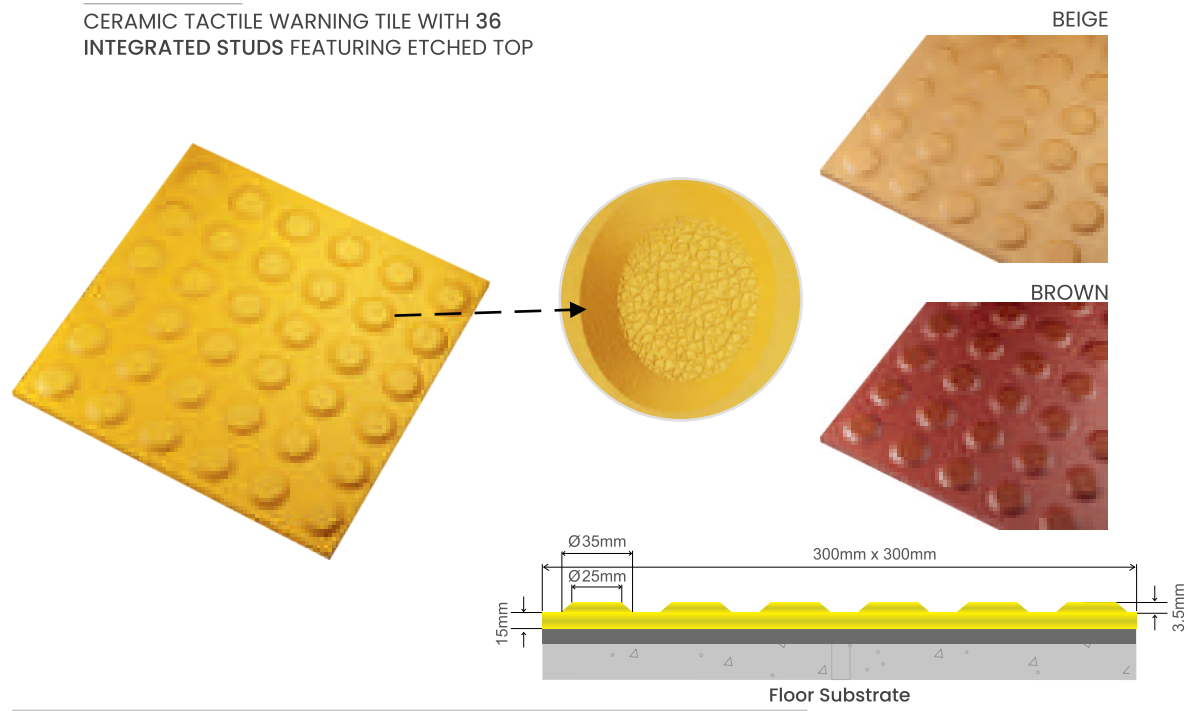
SKU : ET-ITT008

BRASS SOLID TACTILE DIRECTIONAL TILE WITH 4 INTEGRATED STRIPS FEATURING LINEAR TOP



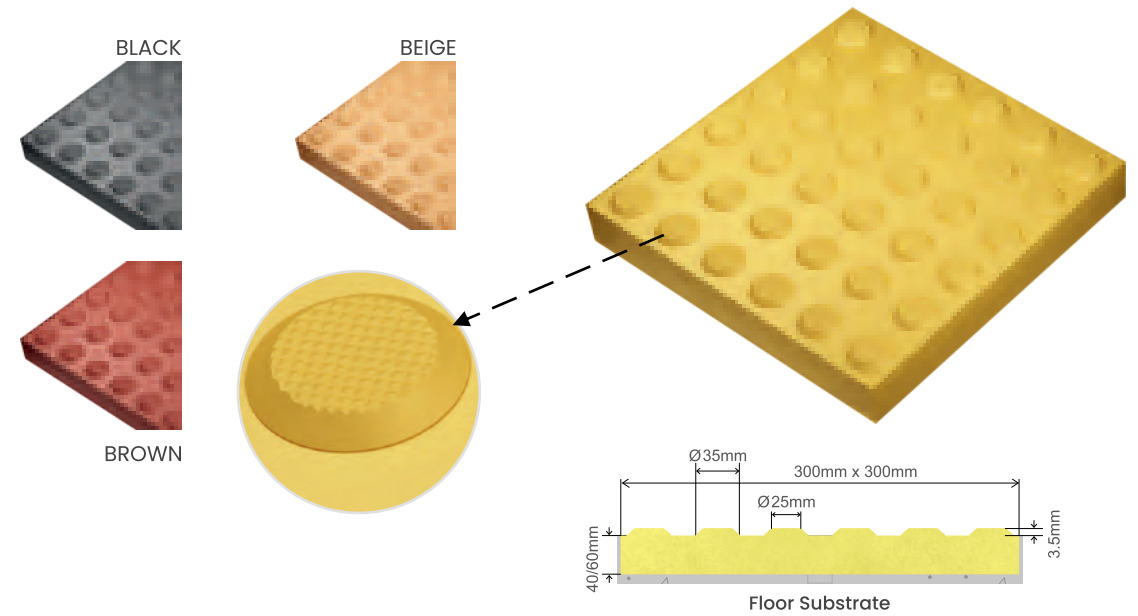
SKU : ET-ITT011

CERAMIC TACTILE WARNING TILE WITH 36 INTEGRATED STUDS FEATURING ETCHED TOP



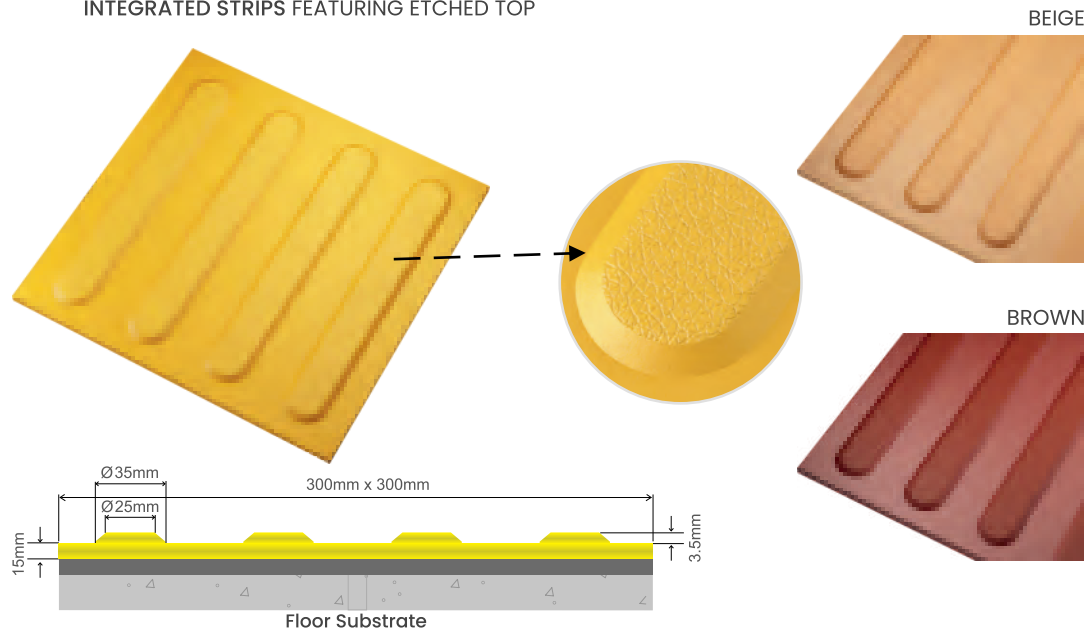
SKU : ET-ITT014

CONCRETE TACTILE WARNING PAVER WITH 36 INTEGRATED STUDS FEATURING DIAMOND TOP



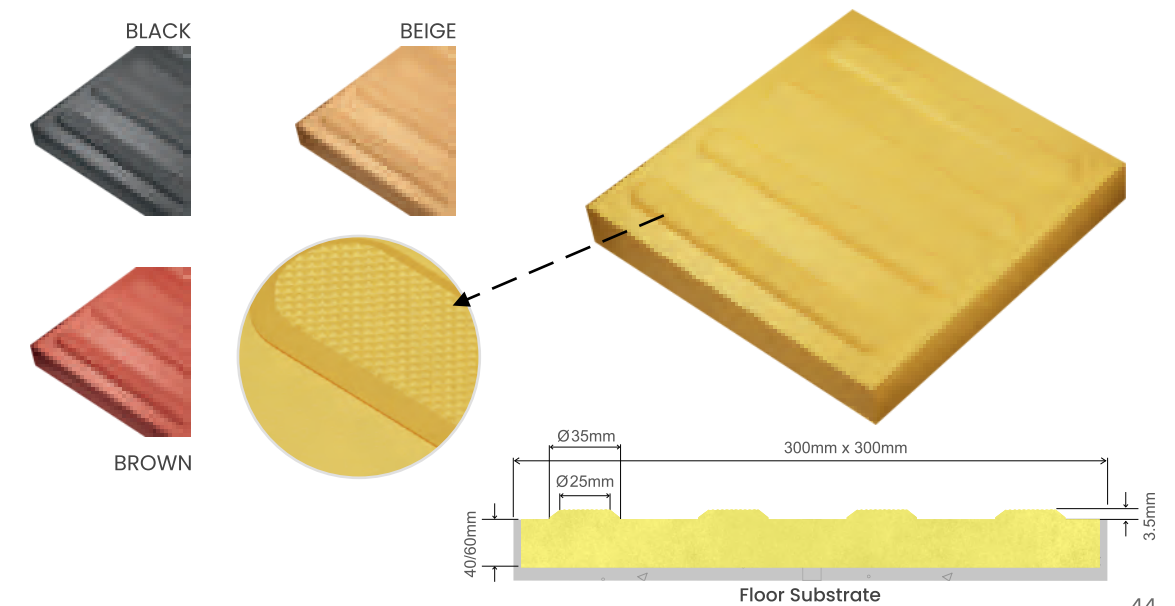
SKU : ET-ITT012

CERAMIC TACTILE WARNING TILE WITH 4 INTEGRATED STRIPS FEATURING ETCHED TOP



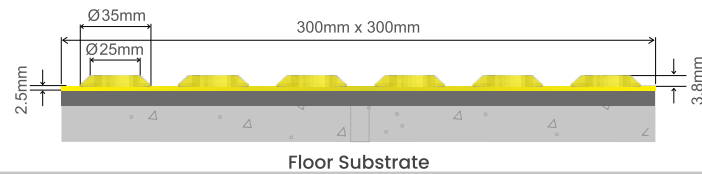
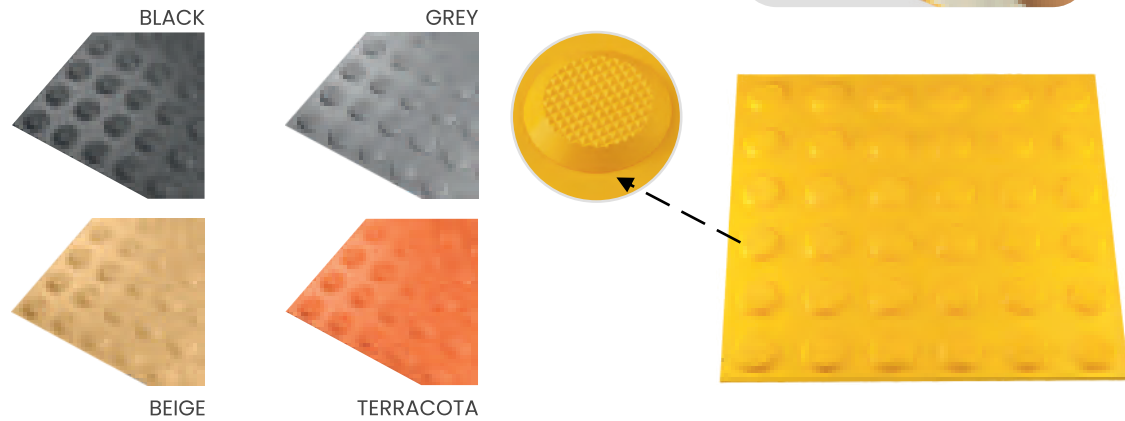
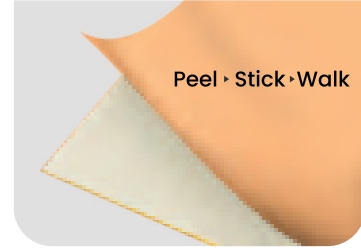
SKU : ET-ITT013

CONCRETE TACTILE DIRECTIONAL PAVER WITH 4 INTEGRATED STRIPS FEATURING DIAMOND TOP



SKU : ET-ITT009

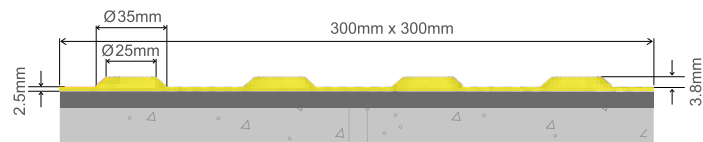
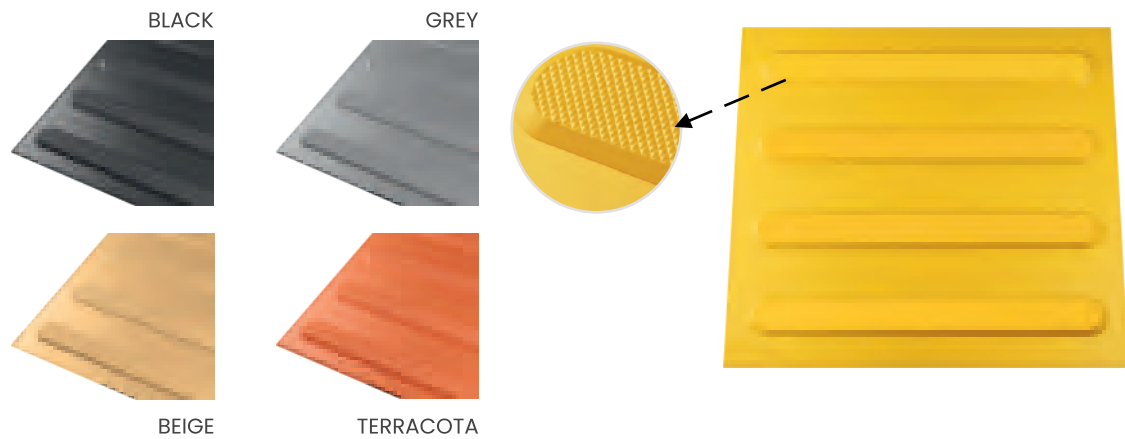
POLYURETHANE SELF ADHESIVE TACTILE WARNING TILE WITH 36 INTEGRATED STUDS FEATURING DIAMOND TOP



Floor Substrate

SKU : ET-ITT010

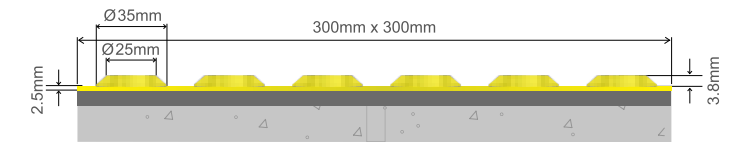
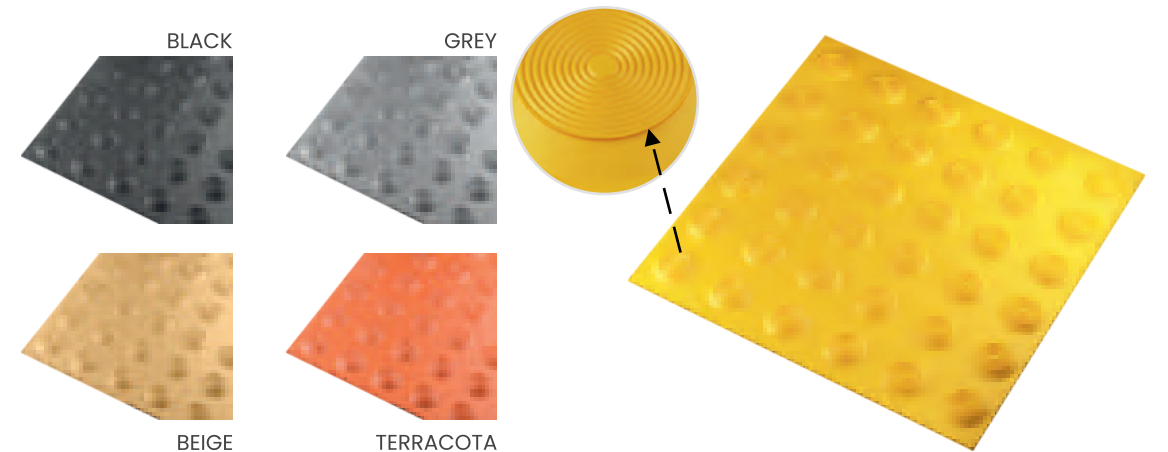
POLYURETHANE SELF ADHESIVE TACTILE DIRECTIONAL TILE WITH 4 INTEGRATED STRIPS FEATURING DIAMOND TOP



Floor Substrate

SKU : ET-ITT015

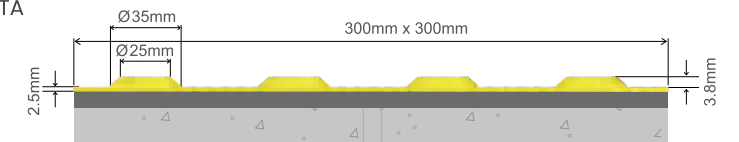
POLYURETHANE SELF ADHESIVE TACTILE WARNING TILE WITH 36 INTEGRATED STUDS FEATURING CONCENTRIC RINGS ON TOP



Floor Substrate

SKU : ET-ITT016

POLYURETHANE SELF ADHESIVE TACTILE DIRECTIONAL TILE WITH 4 INTEGRATED STRIPS FEATURING CONCENTRIC LINES ON TOP

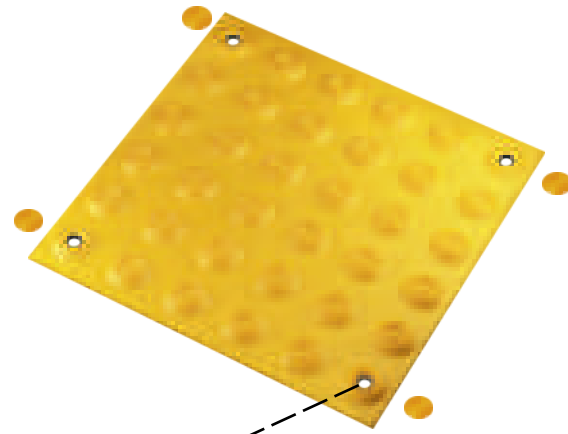
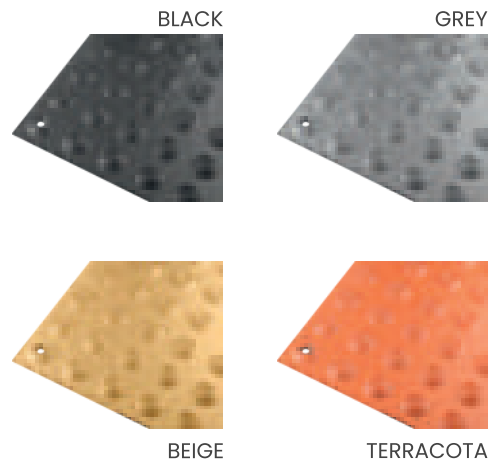


Floor Substrate

INTEGRATED TACTILE TILES

SKU : ET-ITT017

POLYURETHANE SCREW FIX TACTILE WARNING TILE
WITH 36 INTEGRATED STUDS FEATURING CONCENTRIC RINGS ON TOP

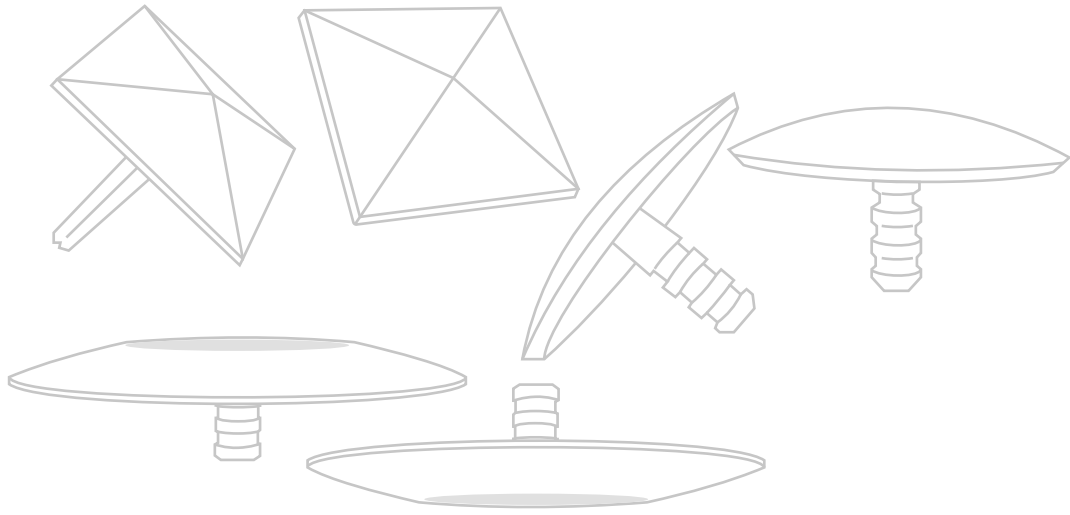


INTEGRATED TACTILE TILES

SKU : ET-ITT018

POLYURETHANE SCREW FIX TACTILE DIRECTIONAL TILE
WITH 4 INTEGRATED STRIPS FEATURING CONCENTRIC LINES ON TOP





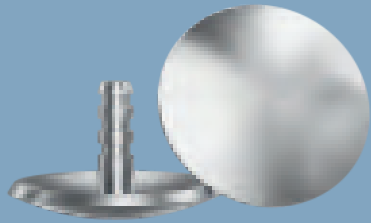
CIVIC ROAD STUDS

We produce high-quality road demarcation studs designed to enhance road safety and visibility. Our road studs are crafted from durable materials, ensuring longevity and resilience in various weather conditions. Available in reflective and non-reflective options, these studs provide clear lane markings, pedestrian crossings, and hazard warnings, ensuring safer navigation for drivers and pedestrians alike. The reflective surfaces maximize visibility during night-time and low-light conditions, reducing the risk of accidents. Easy to install and maintain, our road demarcation studs meet international safety standards, making them ideal for highways, city streets, parking lots, and more. We are committed to improving road safety through innovative and reliable solutions, ensuring safer journeys for all road users.



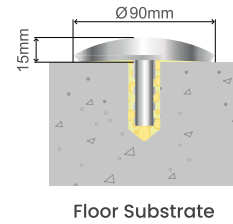
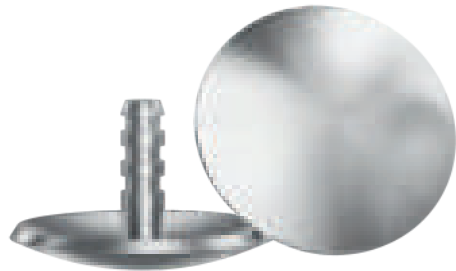
CRAFTING *TOMORROW'S*
SAFETY TODAY

- ▶ Naturally beautiful aesthetic
- ▶ Powerful for Heavy Traffic Areas
- ▶ Ability to integrate into project design
- ▶ High Quality Anti Slip Finishes For Pedestrian Areas
- ▶ Easy To Install
- ▶ Available in hard wearing stainless steel or solid brass
- ▶ Rounded Edges for Enhanced Safety



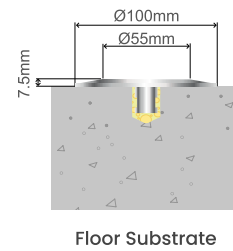
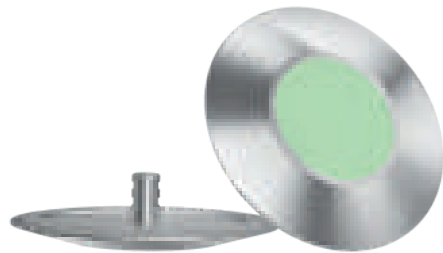
SKU : ET-RIS001

STAINLESS STEEL HOLLOW BACK BULGED TOP ROAD STUD



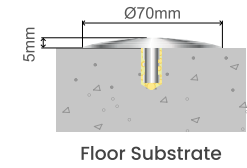
SKU : ET-RIS002

STAINLESS STEEL GLOW IN DARK ROAD STUD



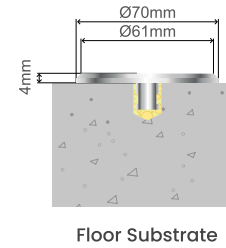
SKU : ET-RIS003

STAINLESS STEEL DOMED ROAD STUD WITH DEEP CONCENTRIC RINGS



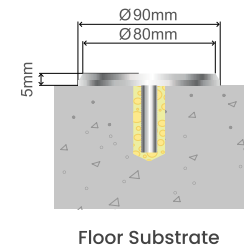
SKU : ET-RIS004

STAINLESS STEEL FLAT TOP STUD WITH DEEP CONCENTRIC RINGS



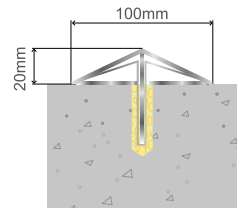
SKU : ET-RIS005

STAINLESS STEEL ROAD DEMARCATON STUD WITH FLAT TOP

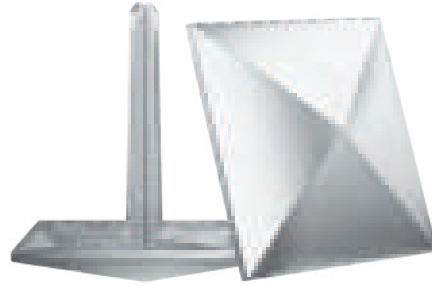


SKU : ET-RIS006

STAINLESS STEEL HOLLOW BACK PYRAMID TOP ROAD STUD

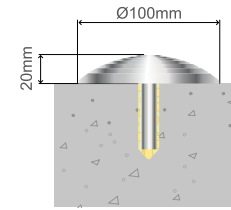


Floor Substrate



SKU : ET-RIS009

STAINLESS STEEL HOLLOW BACK DOMED ROAD STUD WITH CONCENTRIC RINGS

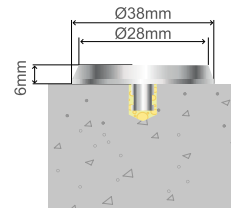


Floor Substrate



SKU : ET-RIS007

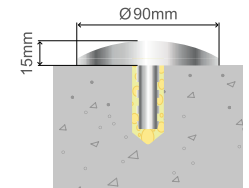
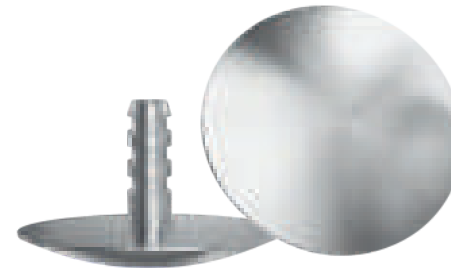
BRASS ROAD STUD WITH DEEP CONCENTRIC RINGS ON TOP



Floor Substrate

SKU : ET-RIS010

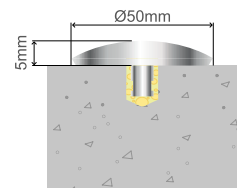
STAINLESS STEEL FULL SOLID FLAT BACK BULGED TOP ROAD STUD



Floor Substrate

SKU : ET-RIS008

BRASS STUD WITH PLAIN BULGED TOP

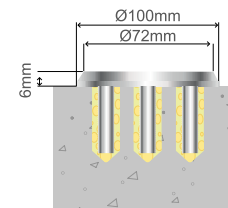


Floor Substrate



SKU : ET-RIS011

STAINLESS STEEL CYCLE WAY MAKING ROAD STUD



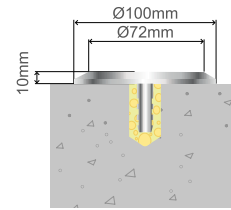
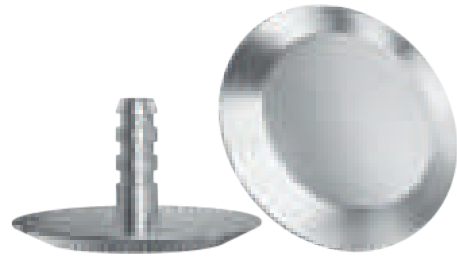
Floor Substrate



CIVIC ROAD STUDS

SKU : ET-RIS012

STAINLESS STEEL FLAT TOP ROAD DEMARCATION STUD



Floor Substrate

BASE MATERIAL OPTIONS

Stainless Steel 316 / Stainless Steel 304 / Brass / Bronze / Aluminium

FIXING

Drill Hole With Diamond Core & Grout With Heavy Duty Construction Adhesive / Mortar

*All dimensions are shown in mm. All dimensions are subject to change without notice. Colours shown are as close to actual colours as printing processes allow.

SUITABLE FOR SUBSTRATES

Roads, Pavers, Stone, Masonry, Timber, Metals

RECOMMENDED LOCATION

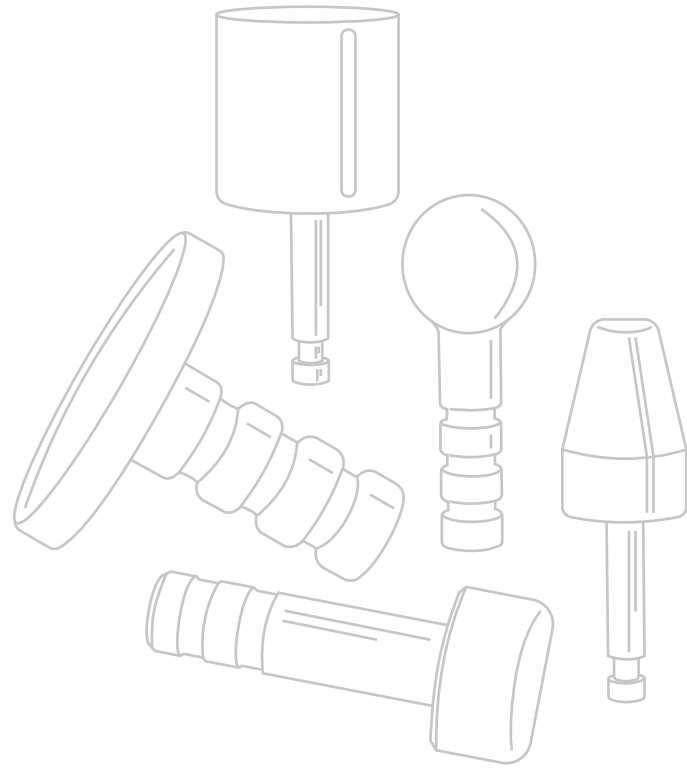
Outdoor



SAFETY THAT STANDS
THE *TEST OF TIME*



For over 8 years, **Eminent Overseas** Group has been **enhancing public access** with comprehensive solutions across our product range. Feel confident knowing you are in safe hands with our **commitment to safety compliance**.



CIVIC SKATE DETTERENTS

We manufacture premium skate deterrent studs designed to prevent skateboarding and roller blading on public and private property, protecting surfaces from damage. Crafted from durable materials like stainless steel, these studs are not only functional but also aesthetically pleasing. They are available in various finishes to blend seamlessly with the surrounding environment. Ideal for installation on benches, ledges, railings, and other surfaces prone to misuse, our skate deterrent studs effectively discourage unwanted activities without obstructing pedestrian traffic. Easy to install and maintain, they provide a long-lasting solution for maintaining the integrity and appearance of urban landscapes, commercial areas, and public spaces. Committed to quality and innovation, Eminent Overseas ensures that our products meet the highest standards, offering reliable protection and enhancing the safety and aesthetics of your property.

TRUSTED **SAFETY** SOLUTIONS
FOR EVERY **SPACE**



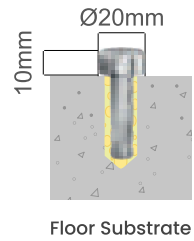
CIVIC SKATE DETTERENTS



- ▶ Designed to deter the most determined skaters from using your external public areas
- ▶ Protects your landscape's presentation and longevity
- ▶ Deters skaters without impacting visual environment
- ▶ Easy To Install
- ▶ Available in hard wearing stainless steel or solid brass
- ▶ Deters both skating and bike users

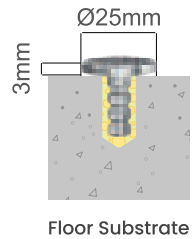
SKU : ET-ASK001

STAINLESS STEEL CYLINDRICAL BARREL TOPPED STUD



SKU : ET-ASK002

STAINLESS STEEL ROUND FLAT TOPPED STUD



BASE MATERIAL OPTIONS

Stainless Steel 316 / Stainless Steel 304 / Brass

FIXING

Drill Hole With Diamond Core & Grout With Heavy duty Construction Adhesive / Mortar

www.tactileindicators.in

SUITABLE FOR SUBSTRATES

Roads, Paver, Stone, Masonry, Timber, Metals

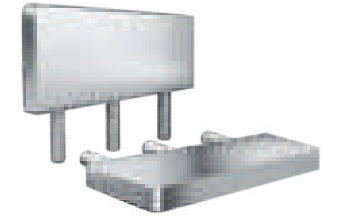
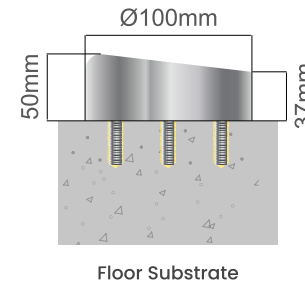
RECOMMENDED LOCATION

Outdoor

CIVIC SKATE DETTERENTS

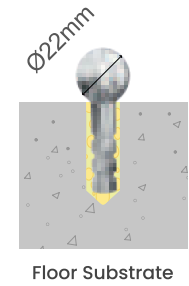
SKU : ET-ASK003

STAINLESS STEEL FIN TOP STUD



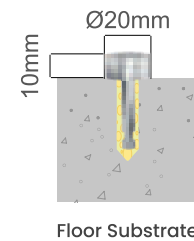
SKU : ET-ASK004

STAINLESS STEEL SPHERICAL TOP STUD



SKU : ET-ASK005

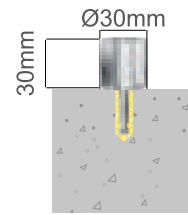
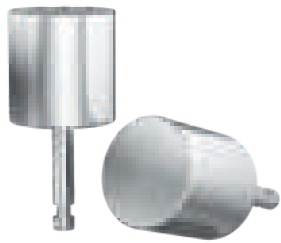
STAINLESS STEEL BEVELLED BUTTON TOP STUD



CIVIC SKATE DETERRENTS

SKU : ET-ASK006

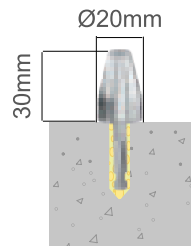
STAINLESS STEEL CYLINDRICAL 25MM TOP STUD



Floor Substrate

SKU : ET-ASK007

STAINLESS STEEL ROUND CONE TOP STUD

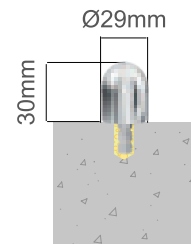


Floor Substrate



SKU : ET-ASK008

STAINLESS STEEL SPHERICAL CYLINDRICAL TOP STUD

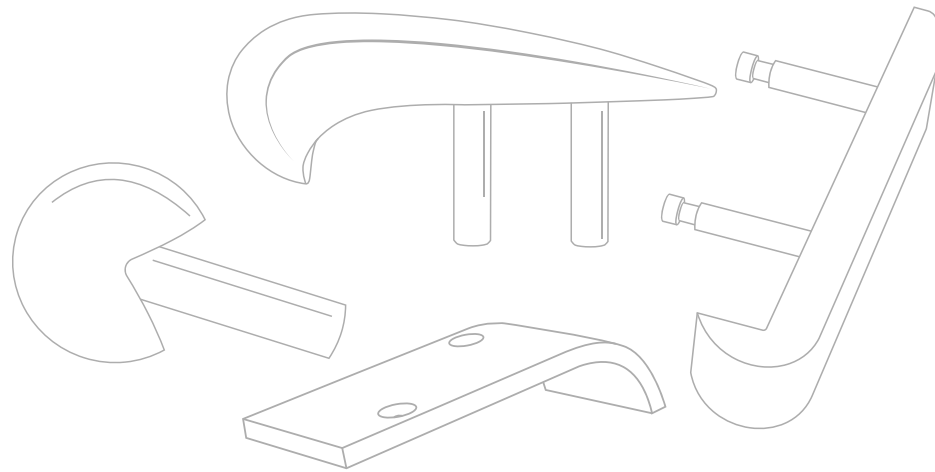


Floor Substrate

*All dimensions are shown in mm. All dimensions are subject to change without notice. Colours shown are as close to actual colours as printing processes allow.



**PRECISION IN
PROTECTION**



CIVIC EDGE PROTECTORS

We manufacture top-tier edge protectors designed to prevent damage to edges and corners while enhancing safety in high-traffic areas. Constructed from robust materials such as stainless steel and brass, our edge protectors are built to last. They are available in a variety of finishes. Ideal for use in commercial buildings, public spaces, and industrial environments, our edge protectors blend seamlessly with any design aesthetic, ensuring both functionality and style. Easy to install and maintain. At Eminent Overseas, we are dedicated to delivering high-quality, durable products that improve safety and extend the lifespan of your property.



ENGINEERED FOR **SAFETY**
BUILT FOR **DURABILITY**

CIVIC EDGE PROTECTORS

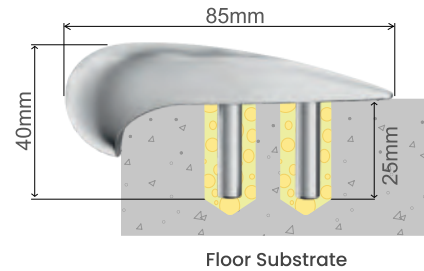


- ▼ Protects your landscape's presentation and longevity
- ▼ Deters both skating and bike users
- ▼ Acts like mini speed hump for your walls, planters and benches
- ▼ Protects Edges and other street furniture without impacting visual environment
- ▼ Available in hard wearing stainless steel or solid brass
- ▼ Easy to install

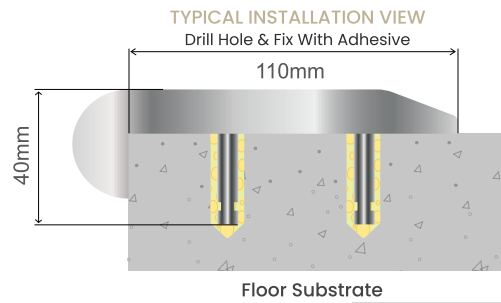
▼ **SKU : ET-EPS001**
SWOOSH EDGE PROTECTOR



TYPICAL INSTALLATION VIEW
Drill Hole & Fix With Adhesive



▼ **SKU : ET-EPS005**
SOLID SWOOSH EDGE PROTECTOR



BASE MATERIAL OPTIONS
Stainless Steel 316 / Stainless Steel 304

FIXING
Drill Hole With Diamond Core & Grout With Heavy Duty Construction Adhesive / Mortar

SUITABLE FOR SUBSTRATES
Roads, Pavers, Stone, Masonry, Timber, Metals

RECOMMENDED LOCATION
Outdoor

CIVIC EDGE PROTECTORS



▼ **SKU : ET-EPS003**
CURVED ANGLE EDGE PROTECTOR



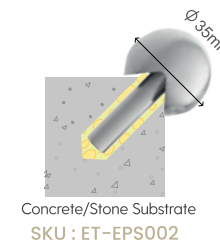
▼ **SKU : ET-EPS004**
ROUNDED ANGLE EDGE PROTECTOR



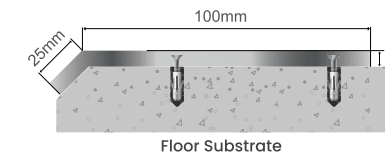
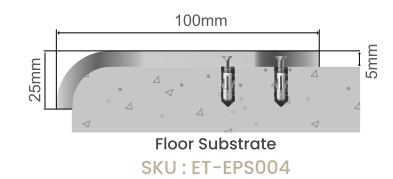
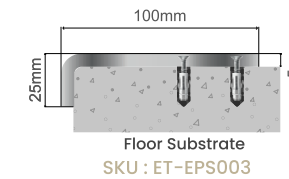
▼ **SKU : ET-EPS002**
SPHERICAL TOP EDGE PROTECTOR



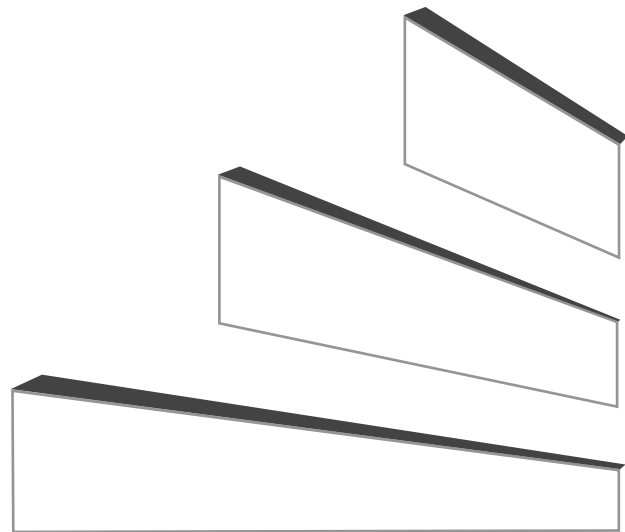
▼ **SKU : ET-EPS006**
SHARP ANGLE EDGE PROTECTOR



TYPICAL INSTALLATION VIEW
Drill Hole & Fix With Adhesive



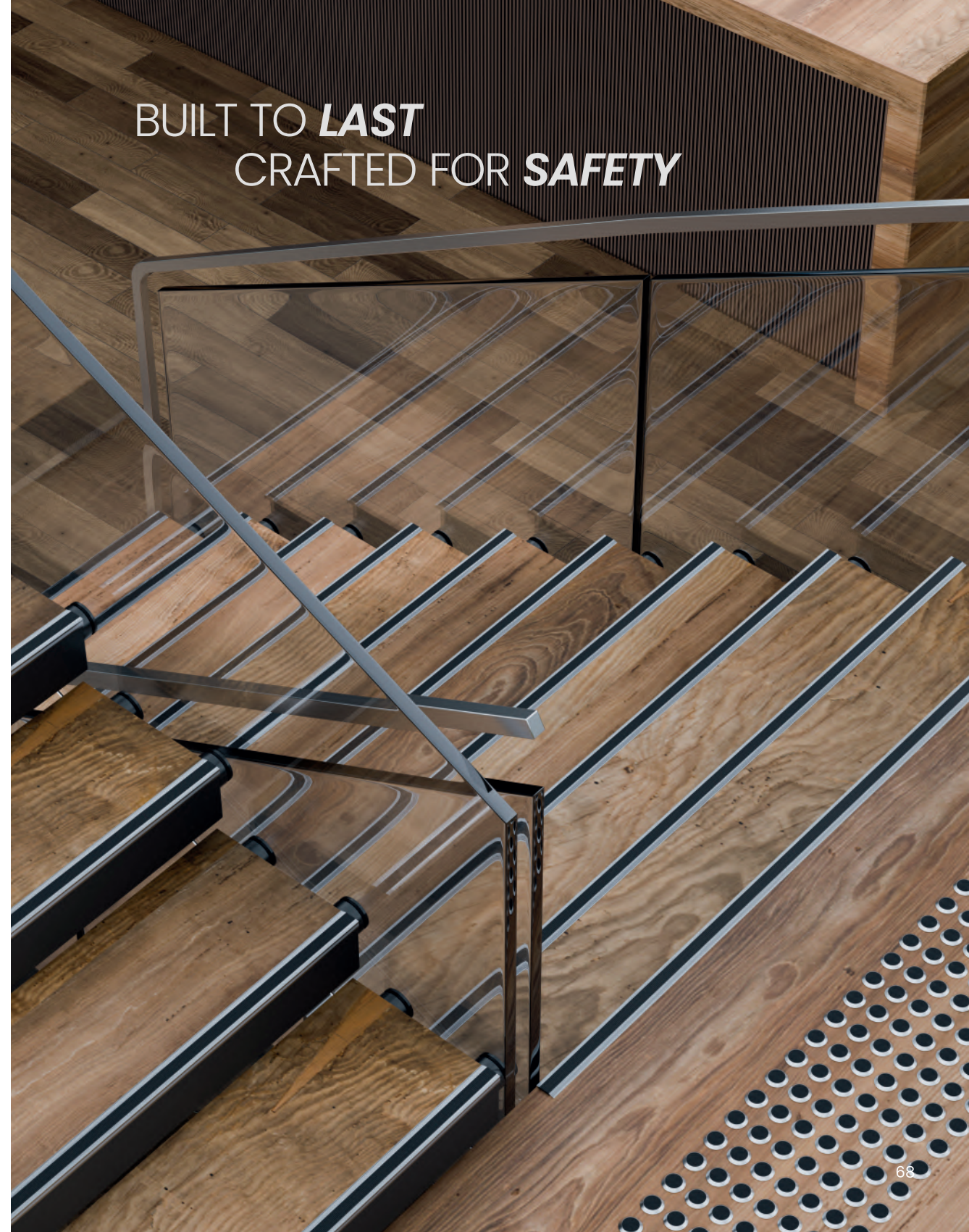
*All dimensions are shown in mm. All dimensions are subject to change without notice. Colours shown are as close to actual colours as printing processes allow.



STAIR NOSING

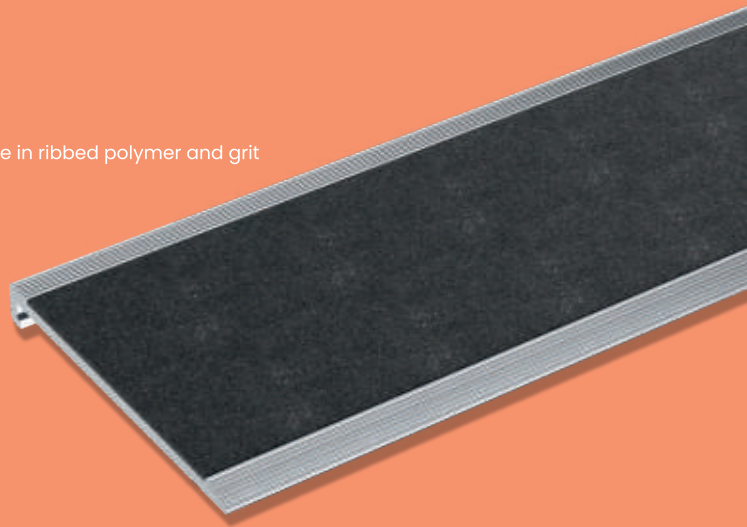
We offer premium stair nosing solutions designed to enhance safety and durability for staircases in residential, commercial, and public spaces. Our stair nosings are crafted from high-quality materials such as aluminium and fiber glass ensuring long-lasting performance. Available in various finishes, including anti-slip options like carborundum finish rubber inserts, they provide excellent traction, reducing the risk of slips and falls. These stair nosings not only protect stair edges from wear and damage but also add a sleek, professional look to any staircase. Easy to install and maintain, our products are ideal for high-traffic areas. At Eminent Overseas, we are committed to offering innovative and reliable stair nosing solutions that enhance safety, improve aesthetics, and extend the lifespan of your stairs.

BUILT TO **LAST**
CRAFTED FOR **SAFETY**



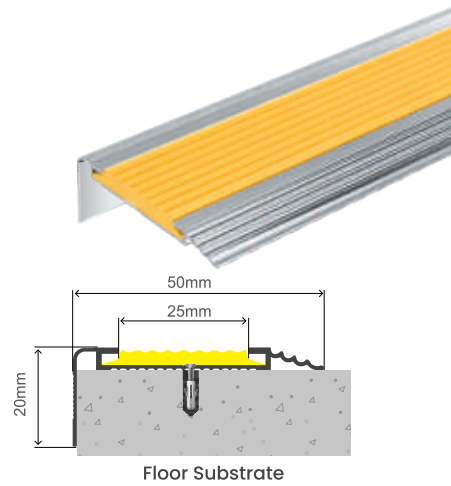
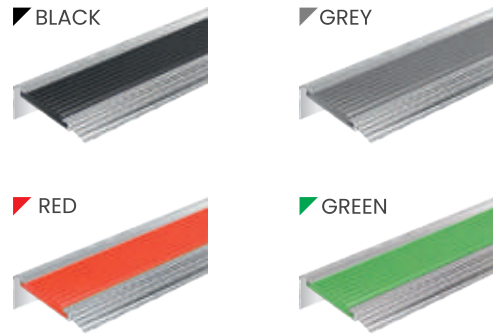
STAIR NOSING

- Large range of nosing insert colour options, available in ribbed polymer and grit
- Suggested for Interior and exterior use
- Suitable for carpet, vinyl and rubber applications
- Contemporary appearance
- Hard wearing
- Aluminium nosings to suit wide range of substrates
- Ideal for industrial use
- Withstands extreme conditions
- Withstands high levels of moisture
- Resistant to most chemicals
- Non-conductive and fire resistant
- Highest slip resistance rating



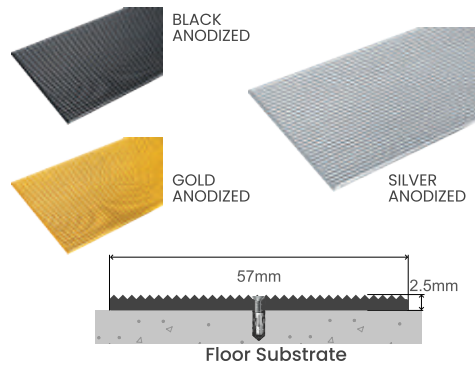
SKU : ET-SNA001

ALUMINIUM STAIR NOSING WITH POLY INSERT ON TOP



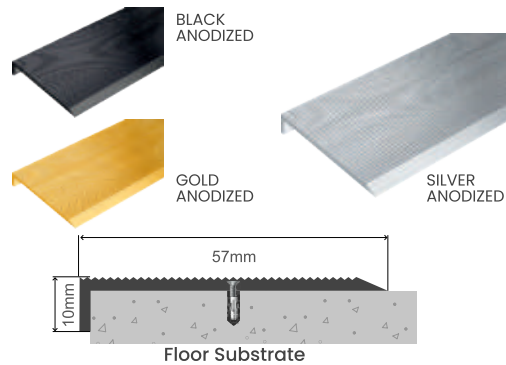
SKU : ET-SNA002

ALUMINIUM STAIR NOSING FLAT WITH ANTI SLIP LINES ON TOP



SKU : ET-SNA003

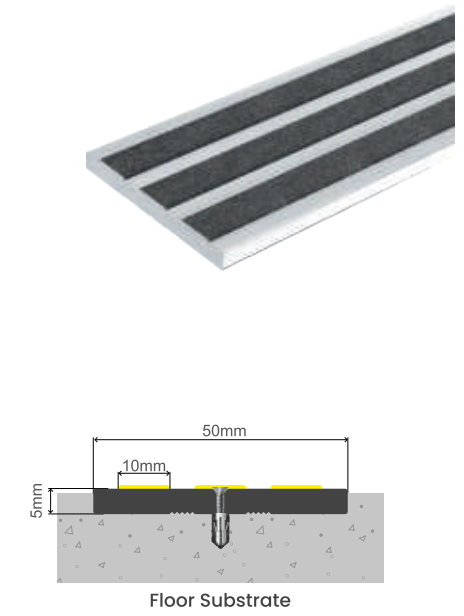
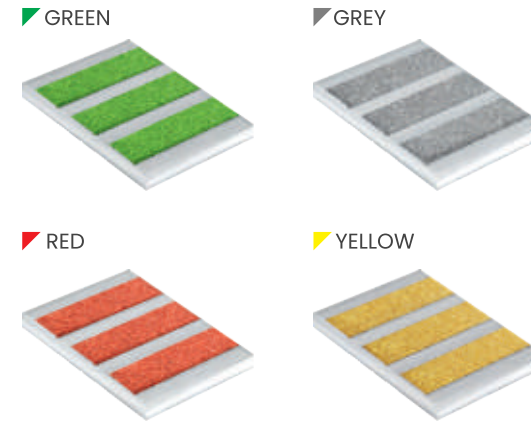
ALUMINIUM STAIR NOSING WITH ANTI SLIP LINES ON TOP



STAIR NOSING

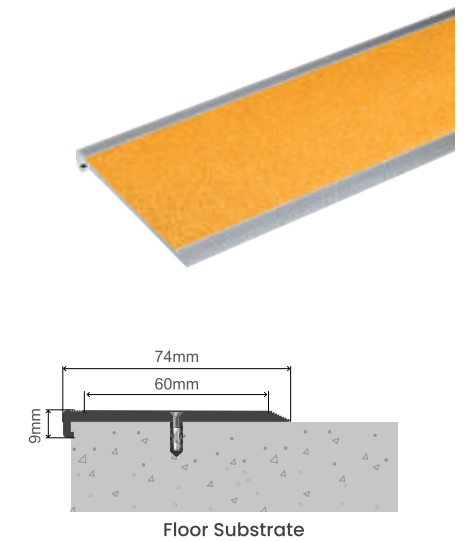
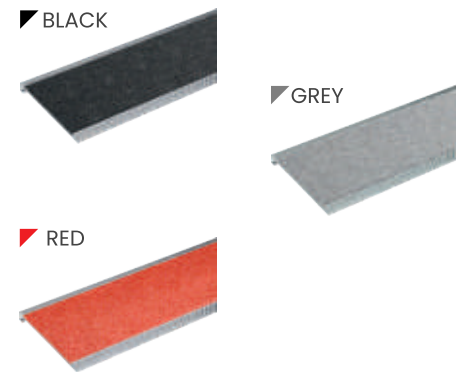
SKU : ET-SNA004

ALUMINIUM STAIR NOSING WITH CARBORUNDUM INSERT ON TOP



SKU : ET-SNA005

ALUMINIUM STAIR NOSING WITH ANTI SLIP TAPE ON TOP



BASE MATERIAL OPTIONS

Aluminium Raw / Aluminium Clear Anodized
Aluminium Colour Anodized

FIXING

Drill And Install With Screws / Heavy Duty Construction Adhesives

3.75 Mtrs. Standard Length. (Cut To Length Service Available.)

SUITABLE FOR SUBSTRATES

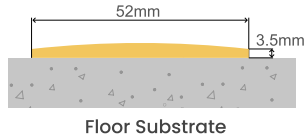
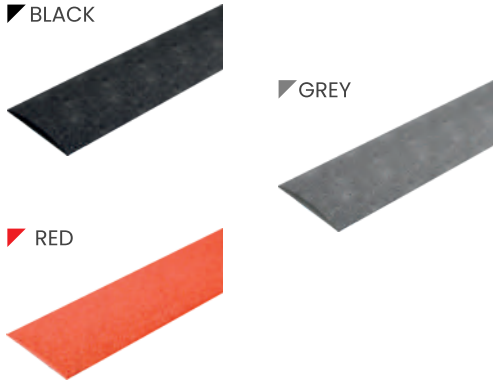
Stairs Or Floor Edges Of Any Type

RECOMMENDED LOCATION

Indoor Or Outdoor

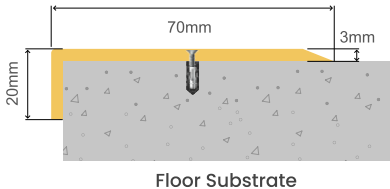
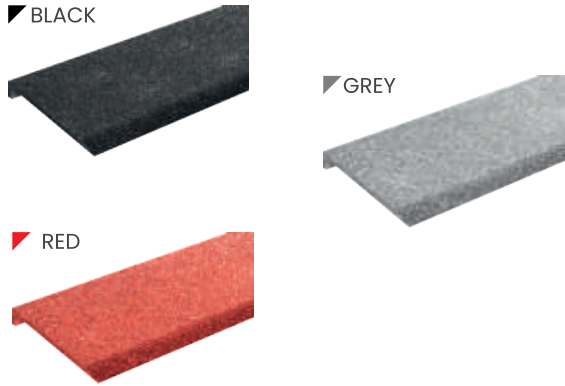
SKU : ET-SNF001

FIBERGLASS REINFORCED ANTI SLIP FLAT STAIR NOSING INSERT



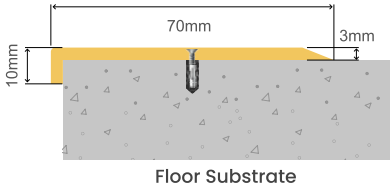
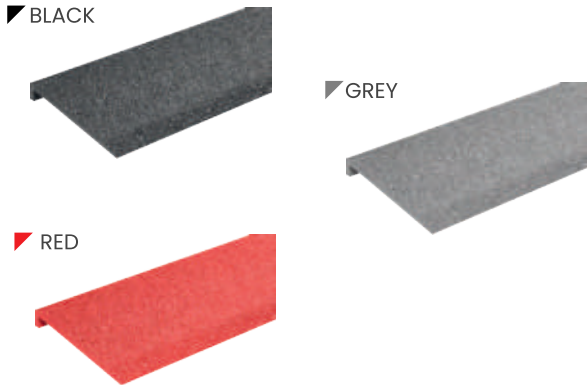
SKU : ET-SNF003

FIBERGLASS REINFORCED ANTI SLIP STAIR NOSING 20MM EDGE



SKU : ET-SNF002

FIBERGLASS REINFORCED ANTI SLIP STAIR NOSING 10MM EDGE



BASE MATERIAL OPTIONS
Fiberglass Reinforced

FIXING
Drill And Install With Screws / Heavy Duty Construction Adhesives

SUITABLE FOR SUBSTRATES
Stairs Or Floor Edges Of Any Type
RECOMMENDED LOCATION
Indoor Or Outdoor

*All dimensions are shown in mm. All dimensions are subject to change without notice. Colours shown are as close to actual colours as printing processes allow.



ANTISLIP FLOOR TAPES



EXCELLENCE
IN EVERY INSTALL

▼ SKU : ET-AST-YL
YELLOW ANTI SLIP TAPE
50MM x 18MTRS.*



▼ SKU : ET-AST-BK
BLACK ANTI SLIP TAPE
50MM x 18MTRS.*



▼ SKU : ET-AST-WT
WHITE ANTI SLIP TAPE
50MM x 18MTRS.*



▼ SKU : ET-AST-GL
GLOW IN DARK ANTI SLIP TAPE
50MM x 18MTRS.*



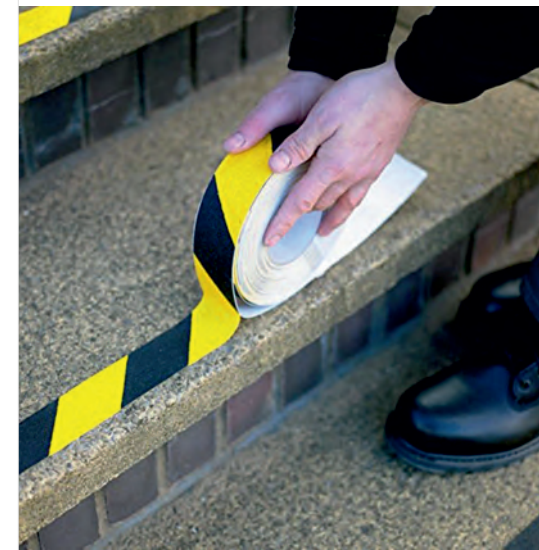
▼ SKU : ET-AST-RD
RED ANTI SLIP TAPE
50MM x 18MTRS.*



▼ SKU : ET-AST-HZ
HAZARD ANTI SLIP TAPE
(YELLOW/BLACK STRIPES)
50MM x 18MTRS.*



EMERGENCY ANTISLIP TAPES



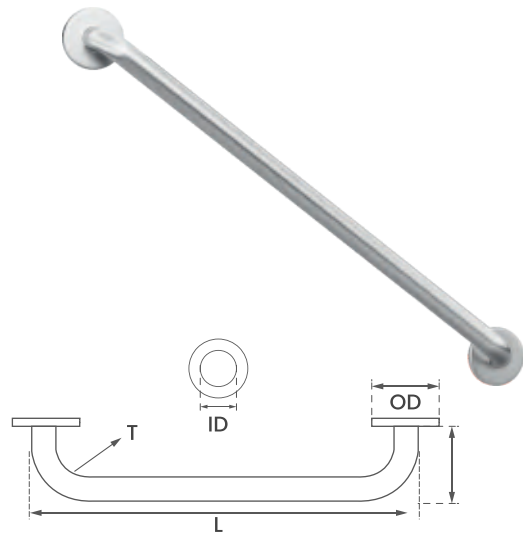
GRAB BARS



Eminent Overseas manufactures high-quality grab bars designed to provide essential support and safety in washrooms for individuals with disabilities. Our grab bars are constructed from durable materials such as stainless steel, ensuring strength and longevity. Available in various lengths and finishes, they seamlessly integrate into any bathroom decor while providing reliable handholds for stability. These grab bars are ideal for installation near toilets, showers, and bathtubs, helping to prevent slips and falls and promoting independence and confidence for users. Easy to install and maintain, our grab bars meet international accessibility standards, making them suitable for residential, commercial, and public washrooms.

SKU : E-GB01

STAINLESS STEEL STRAIGHT GRAB BAR

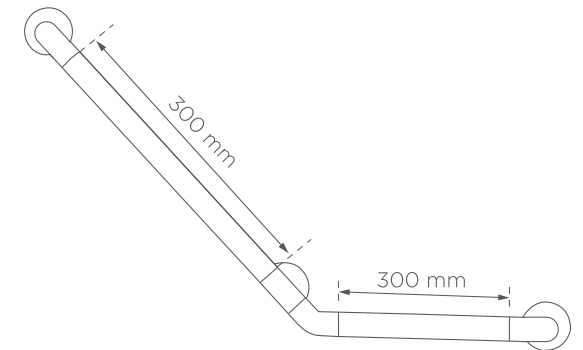


SPECIFICATIONS		
D-Diameter	L-Length	T-Thickness
Ø 32mm	300/450/600 750/900/1200 mm	3mm
Ø 38mm	300/450/600 750/900/1200 mm	3mm

Material : 304/316 Stainless Steel
Finish : Stainless Steel Satin Finish /
Matt Black PVD Finish /
Gold PVD Finish

SKU : E-GB02

STAINLESS STEEL TILTED GRAB BAR

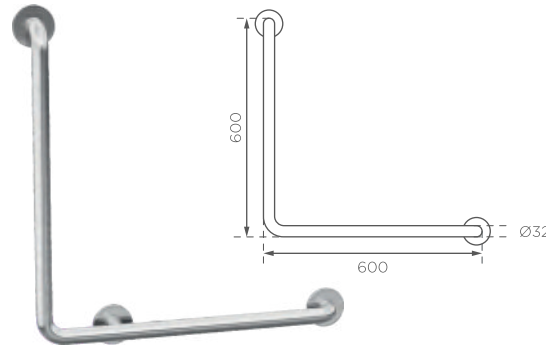


SPECIFICATIONS		
D-Diameter	L-Length	T-Thickness
Ø 32mm	300/450/600 750/900/1200 mm	3mm
Ø 38mm	300/450/600 750/900/1200 mm	3mm

Material : 304/316 Stainless Steel
Finish : Stainless Steel Satin Finish /
Matt Black PVD Finish /
Gold PVD Finish

SKU : E-GB03

STAINLESS STEEL L SHAPED GRAB BAR



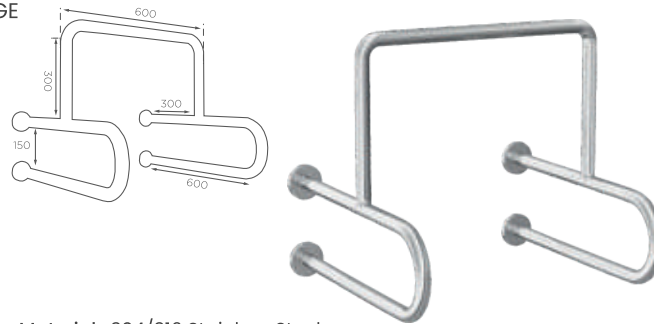
SPECIFICATIONS

D-Diameter	L-Length	T-Thickness
Ø 32mm	300/450/600 750/900/1200 mm	3mm
Ø 38mm	300/450/600 750/900/1200 mm	3mm

Material : 304/316 Stainless Steel
Finish : Stainless Steel Satin Finish /
Matt Black PVD Finish /
Gold PVD Finish

SKU : E-GB04

STAINLESS STEEL URINAL SAFETY GRAB BAR CAGE



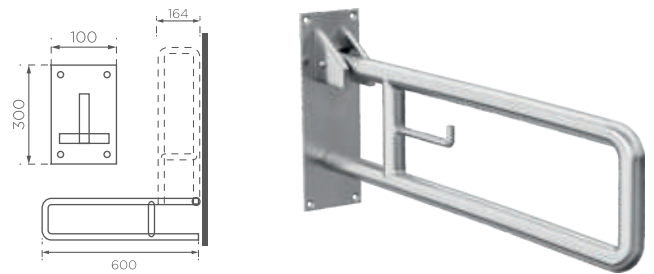
SPECIFICATIONS

D-Diameter	L-Length	T-Thickness
Ø 32mm	300/450/600 750/900/1200 mm	3mm
Ø 38mm	300/450/600 750/900/1200 mm	3mm

Material : 304/316 Stainless Steel
Finish : Stainless Steel Satin Finish /
Matt Black PVD Finish /
Gold PVD Finish

SKU : E-GB05

STAINLESS STEEL ROUNDED RECTANGULAR SWING TYPE TOILET SAFETY GRAB BAR



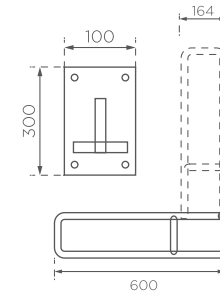
SPECIFICATIONS

D-Diameter	L-Length	T-Thickness
Ø 35mm	600mm	3mm

Material : 304/316 Stainless Steel
Finish : Stainless Steel Satin Finish / Matt Black PVD Finish / Gold PVD Finish

SKU : E-GB06

STAINLESS STEEL ROUNDED SWING TYPE TOILET SAFETY GRAB BAR



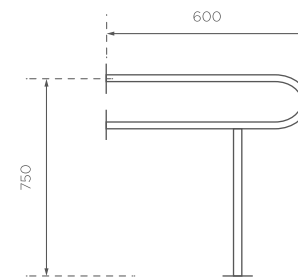
SPECIFICATIONS

D-Diameter	L-Length	T-Thickness
Ø 32mm	740mm	3mm

Material : 304/316 Stainless Steel
Finish : Stainless Steel Satin Finish / Matt Black PVD Finish / Gold PVD Finish

SKU : E-GB07

STAINLESS STEEL ROUNDED TYPE SAFETY BAR FOR SINKS



SPECIFICATIONS

D-Diameter	L-Length	T-Thickness
Ø 35mm	750mm	3mm

Material : 304/316 Stainless Steel
Finish : Stainless Steel Satin Finish / Matt Black PVD Finish / Gold PVD Finish

SKU : E-GB08

STAINLESS STEEL ROUNDED RECTANGULAR TYPE SAFETY BAR FOR SINKS



*All dimensions are shown in mm. All dimensions are subject to change without notice. Colours shown are as close to actual colours as printing processes allow.

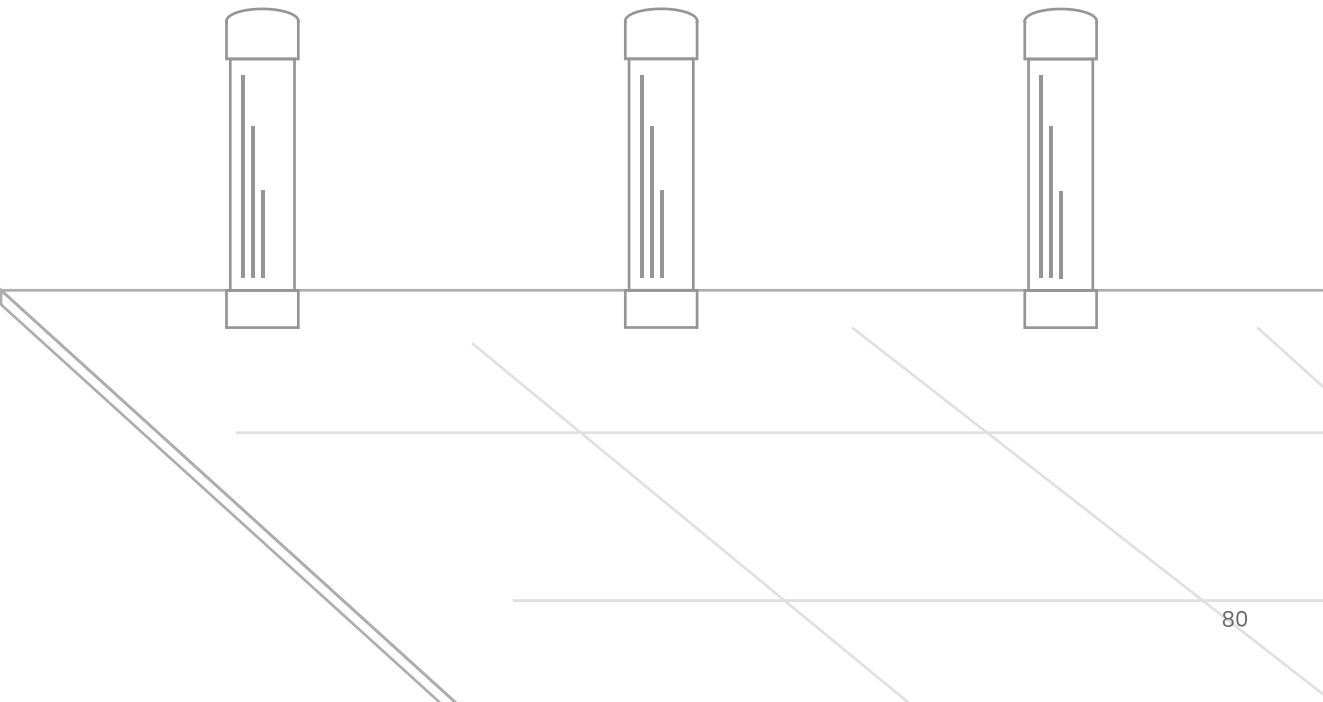


BLACK PVD COATED GRAB BARS



GOLD PVD COATED GRAB BARS

*Elegant Collection
For Safety*



SURFACE MOUNTED BOLLARDS



TRUSTED **SAFETY**
SOLUTIONS FOR **EVERY SPACE**

SURFACE MOUNTED BOLLARDS

SKU : EB-SMB01

POWDER COATED ROUND BASE PLATE
STEEL BOLLARD WITH CAP ON TOP



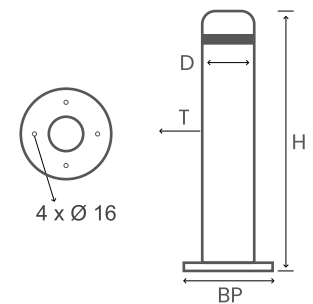
TOP FINISH



BOTTOM FINISH

DIMENSIONS

D-Diameter	H-Height	T-Thickness	BP-Base Plate
Ø90mm	900/1000mm	3/4mm	Ø225 x T6
Ø114mm	1000/1200/1300mm	3/4mm	Ø300 x T6
Ø140mm	1000/1200/1300mm	4/5mm	Ø300 x T8
Ø165mm	1000/1200/1300mm	4/5mm	Ø300 x T10
Ø220mm	1000/1200/1300mm	4/5mm	Ø390 x T12



Features

Material Options: SS 304 / SS 316 / Galvanized Steel / Galvanized Steel With Powder Coating

Reflective Film & Reflective Groove (Optional): 50mm Reflective Film & Reflective Groove

Top: Welding Flat Top As Standard / Domed Top & Bevel Top As Optional

Install Accessories (Optional): M12*100mm Expansion Screw, 4pcs.

SURFACE MOUNTED BOLLARDS

SKU : EB-SMB02

HOT DIPPED GALVANIZED ROUND BASE PLATE
STEEL BOLLARD WITH CAP ON TOP



TOP FINISH

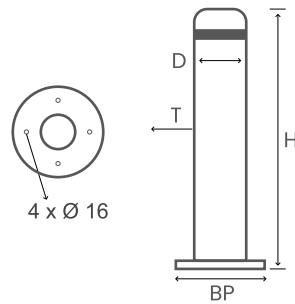


BOTTOM FINISH



DIMENSIONS

D-Diameter	H-Height	T-Thickness	BP-Base Plate
Ø90mm	900/1000mm	3/4mm	Ø225 x T6
Ø114mm	1000/1200/1300mm	3/4mm	Ø300 x T6
Ø140mm	1000/1200/1300mm	4/5mm	Ø300 x T8
Ø165mm	1000/1200/1300mm	4/5mm	Ø300 x T10
Ø220mm	1000/1200/1300mm	4/5mm	Ø390 x T12



Features

- Material Options:** SS 304 / SS 316 / Galvanized Steel / Galvanized Steel With Powder Coating
- Reflective Film & Reflective Groove (Optional):** 50mm Reflective Film & Reflective Groove
- Top:** Welding Flat Top As Standard / Domed Top & Bevel Top As Optional
- Install Accessories (Optional):** M12*100mm Expansion Screw, 4pcs.

SKU : EB-SMB03

STAINLESS STEEL DOMED TOP
ROUND BASE PLATE BOLLARD



TOP FINISH

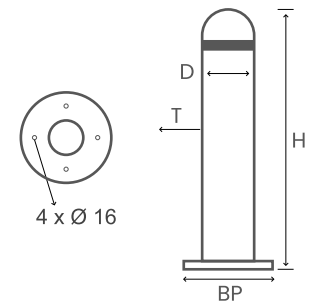


BOTTOM FINISH



DIMENSIONS

D-Diameter	H-Height	T-Thickness	BP-Base Plate
Ø90mm	900/1000mm	3/4mm	Ø180 x T5
Ø114mm	1000/1200/1300mm	3/4mm	Ø225 x T5
Ø140mm	1000/1200/1300mm	3/4mm	Ø250 x T5
Ø168mm	1000/1200/1300mm	3/4mm	Ø300 x T5



Features

- Material Options:** SS 304 / SS 316 / Galvanized Steel / Galvanized Steel With Powder Coating
- Reflective Film & Reflective Groove (Optional):** 50mm Reflective Film & Reflective Groove
- Top:** Welding Flat Top As Standard / Domed Top & Bevel Top As Optional
- Install Accessories (Optional):** M12*100mm Expansion Screw, 4pcs.

SURFACE MOUNTED BOLLARDS

SKU : EB-SMB04

STAINLESS STEEL FLAT TOP
ROUND BASE PLATE BOLLARD



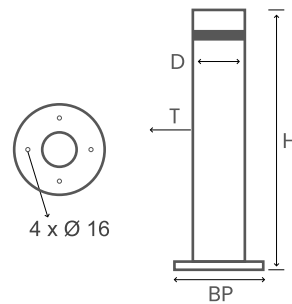
TOP FINISH



BOTTOM FINISH

DIMENSIONS

D-Diameter	H-Height	T-Thickness	BP-Base Plate
Ø90mm	900/1000mm	3/4mm	Ø180 x T5
Ø114mm	1000/1200/1300mm	3/4mm	Ø225 x T5
Ø140mm	1000/1200/1300mm	3/4mm	Ø250 x T5
Ø168mm	1000/1200/1300mm	3/4mm	Ø300 x T5



Features

- Material Options:** SS 304 / SS 316 / Galvanized Steel / Galvanized Steel With Powder Coating
- Reflective Film & Reflective Groove (Optional):** 50mm Reflective Film & Reflective Groove
- Top:** Welding Flat Top As Standard / Domed Top & Bevel Top As Optional
- Install Accessories (Optional):** M12*100mm Expansion Screw, 4pcs.

SKU : EB-SMB05

STAINLESS STEEL SLANT TOP
ROUND BASE PLATE BOLLARD



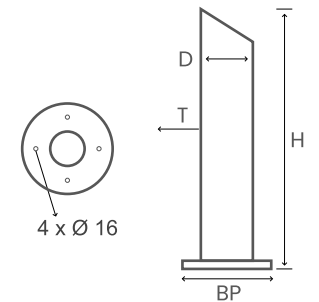
TOP FINISH



BOTTOM FINISH

DIMENSIONS

D-Diameter	H-Height	T-Thickness	BP-Base Plate
Ø90mm	900/1000mm	3/4mm	Ø180 x T5
Ø114mm	1000/1200/1300mm	3/4mm	Ø225 x T5
Ø140mm	1000/1200/1300mm	3/4mm	Ø250 x T5
Ø168mm	1000/1200/1300mm	3/4mm	Ø300 x T5



Features

- Material Options:** SS 304 / SS 316 / Galvanized Steel / Galvanized Steel With Powder Coating
- Reflective Film & Reflective Groove (Optional):** 50mm Reflective Film & Reflective Groove
- Top:** Welding Flat Top As Standard / Domed Top & Bevel Top As Optional
- Install Accessories (Optional):** M12*100mm Expansion Screw, 4pcs.

SURFACE MOUNTED BOLLARDS

SKU : EB-SMB06

POWDER COATED SQUARE BASE PLATE
STEEL BOLLARD WITH CAP ON TOP



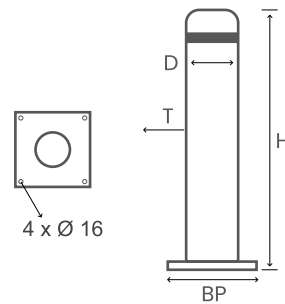
TOP FINISH



BOTTOM FINISH

DIMENSIONS

D-Diameter	H-Height	T-Thickness	BP-Base Plate
Ø90mm	900/1000mm	3/4mm	225 x 225 x T6
Ø114mm	1000/1200/1300mm	3/4mm	300 x 300 x T6
Ø140mm	1000/1200/1300mm	4/5mm	300 x 300 x T8
Ø165mm	1000/1200/1300mm	4/5mm	300 x 300 x T10
Ø220mm	1000/1200/1300mm	4/5mm	390 x 390 x T12



Features

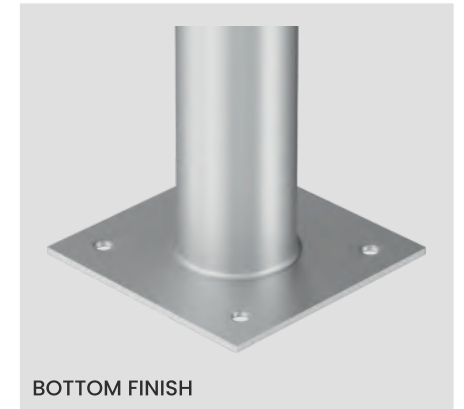
- Material Options:** SS 304 / SS 316 / Galvanized Steel / Galvanized Steel With Powder Coating
- Reflective Film & Reflective Groove (Optional):** 50mm Reflective Film & Reflective Groove
- Top:** Welding Flat Top As Standard / Domed Top & Bevel Top As Optional
- Install Accessories (Optional):** M12*100mm Expansion Screw, 4pcs.

SKU : EB-SMB07

HOT DIPPED GALVANIZED SQUARE BASE
PLATE STEEL BOLLARD WITH CAP ON TOP



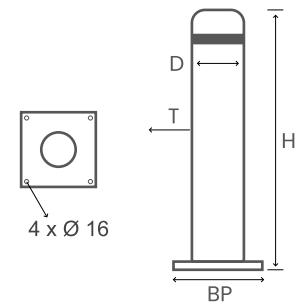
TOP FINISH



BOTTOM FINISH

DIMENSIONS

D-Diameter	H-Height	T-Thickness	BP-Base Plate
Ø90mm	900/1000mm	3/4mm	225 x 225 x T6
Ø114mm	1000/1200/1300mm	3/4mm	300 x 300 x T6
Ø140mm	1000/1200/1300mm	4/5mm	300 x 300 x T8
Ø165mm	1000/1200/1300mm	4/5mm	300 x 300 x T10
Ø220mm	1000/1200/1300mm	4/5mm	390 x 390 x T12



Features

- Material Options:** SS 304 / SS 316 / Galvanized Steel / Galvanized Steel With Powder Coating
- Reflective Film & Reflective Groove (Optional):** 50mm Reflective Film & Reflective Groove
- Top:** Welding Flat Top As Standard / Domed Top & Bevel Top As Optional
- Install Accessories (Optional):** M12*100mm Expansion Screw, 4pcs.

SURFACE MOUNTED BOLLARDS

SKU : EB-SMB09

STAINLESS STEEL DOMED TOP
SQUARE BASE PLATE BOLLARD



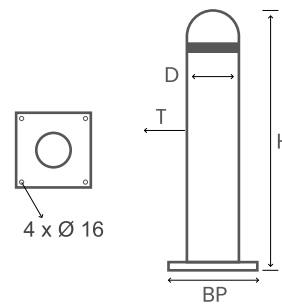
TOP FINISH



BOTTOM FINISH

DIMENSIONS

D-Diameter	H-Height	T-Thickness	BP-Base Plate
Ø90mm	900/1000mm	3/4mm	180 x 180 x T5
Ø114mm	1000/1200/1300mm	3/4mm	225 x 225 x T5
Ø140mm	1000/1200/1300mm	3/4mm	250 x 250 x T5
Ø168mm	1000/1200/1300mm	3/4mm	300 x 300 x T5



Features

- Material Options :** SS 304 / SS 316 / Galvanized Steel / Galvanized Steel With Powder Coating
- Reflective Film & Reflective Groove (Optional) :** 50mm Reflective Film & Reflective Groove
- Top :** Welding Flat Top As Standard / Domed Top & Bevel Top As Optional
- Install Accessories (Optional):** M12*100mm Expansion Screw, 4pcs.

SKU : EB-SMB08

STAINLESS STEEL FLAT TOP
SQUARE BASE PLATE BOLLARD



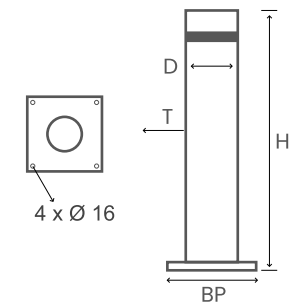
TOP FINISH



BOTTOM FINISH

DIMENSIONS

D-Diameter	H-Height	T-Thickness	BP-Base Plate
Ø90mm	900/1000mm	3/4mm	180 x 180 x T5
Ø114mm	1000/1200/1300mm	3/4mm	225 x 225 x T5
Ø140mm	1000/1200/1300mm	3/4mm	250 x 250 x T5
Ø168mm	1000/1200/1300mm	3/4mm	300 x 300 x T5



Features

- Material Options :** SS 304 / SS 316 / Galvanized Steel / Galvanized Steel With Powder Coating
- Reflective Film & Reflective Groove (Optional) :** 50mm Reflective Film & Reflective Groove
- Top :** Welding Flat Top As Standard / Domed Top & Bevel Top As Optional
- Install Accessories (Optional):** M12*100mm Expansion Screw, 4pcs.

SURFACE MOUNTED BOLLARDS

SKU : EB-SMB10

STAINLESS STEEL SLANT TOP
SQUARE BASE PLATE BOLLARD



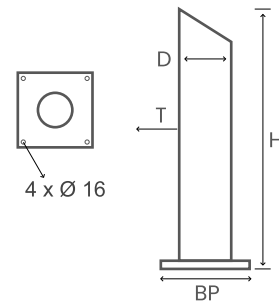
TOP FINISH



BOTTOM FINISH

DIMENSIONS

D-Diameter	H-Height	T-Thickness	BP-Base Plate
Ø90mm	900/1000mm	3/4mm	180 x 180 x T5
Ø114mm	1000/1200/1300mm	3/4mm	225 x 225 x T5
Ø140mm	1000/1200/1300mm	3/4mm	250 x 250 x T5
Ø168mm	1000/1200/1300mm	3/4mm	300 x 300 x T5



Features

Material Options: SS 304 / SS 316 / Galvanized Steel / Galvanized Steel With Powder Coating

Reflective Film & Reflective Groove (Optional): 50mm Reflective Film & Reflective Groove

Top : Welding Flat Top As Standard / Domed Top & Bevel Top As Optional

Install Accessories (Optional): M12*100mm Expansion Screw, 4pcs.

www.tactileindicators.in

BELOW GROUND BOLLARDS



CRAFTING **SAFETY**
ENHANCING **SPACES**

BELOW GROUND BOLLARDS

SKU : EB-BGB01

POWDER COATED STEEL BELOW GROUND BOLLARD WITH CAP ON TOP

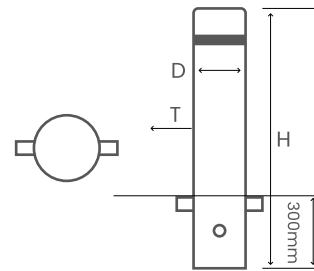


TOP FINISH



BOTTOM FINISH

DIMENSIONS		
D-Diameter	H-Height	T-Thickness
Ø90mm	1200/1300mm	3/4mm
Ø114mm	1300/1500mm	3/4mm
Ø140mm	1300/1500mm	4/5mm
Ø165mm	1300/1500mm	4/5mm
Ø220mm	1300/1500mm	4/5mm



Features

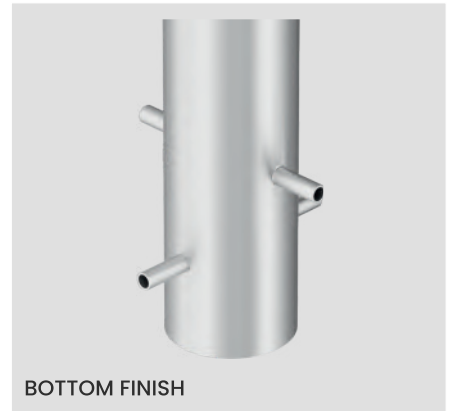
- Material Options :** SS 304 / SS 316 / Galvanized Steel / Galvanized Steel With Powder Coating
- Reflective Film & Reflective Groove (Optional) :** 50mm Reflective Film & Reflective Groove
- Top :** Welding Flat Top As Standard / Domed Top & Bevel Top As Optional
- Install Accessories (Optional):** M12*100mm Expansion Screw, 4pcs.

SKU : EB-BGB02

HOT DIPPED GALVANIZED STEEL BELOW GROUND BOLLARD WITH CAP ON TOP

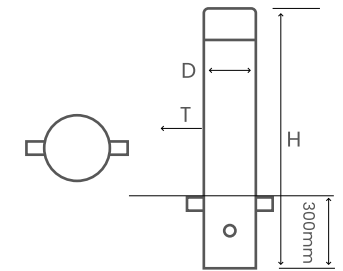


TOP FINISH



BOTTOM FINISH

DIMENSIONS		
D-Diameter	H-Height	T-Thickness
Ø90mm	1200/1300mm	3/4mm
Ø114mm	1300/1500mm	3/4mm
Ø140mm	1300/1500mm	4/5mm
Ø165mm	1300/1500mm	4/5mm
Ø220mm	1300/1500mm	4/5mm



Features

- Material Options :** SS 304 / SS 316 / Galvanized Steel / Galvanized Steel With Powder Coating
- Reflective Film & Reflective Groove (Optional) :** 50mm Reflective Film & Reflective Groove
- Top :** Welding Flat Top As Standard / Domed Top & Bevel Top As Optional
- Install Accessories (Optional):** M12*100mm Expansion Screw, 4pcs.

BELOW GROUND BOLLARDS

SKU : EB-BGB03

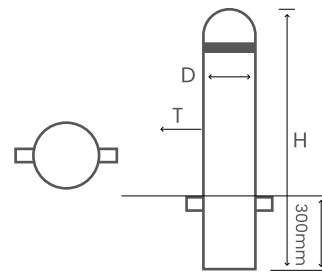
STAINLESS STEEL DOMED TOP
BELOW GROUND BOLLARD



TOP FINISH



DIMENSIONS		
D-Diameter	H-Height	T-Thickness
Ø90mm	1200/1300mm	3/4mm
Ø114mm	1300/1500mm	3/4mm
Ø140mm	1300/1500mm	4/5mm
Ø168mm	1300/1500mm	4/5mm



Features

- Material Options :** SS 304 / SS 316 / Galvanized Steel / Galvanized Steel With Powder Coating
- Reflective Film & Reflective Groove (Optional) :** 50mm Reflective Film & Reflective Groove
- Top :** Welding Flat Top As Standard / Domed Top & Bevel Top As Optional
- Install Accessories (Optional) :** M12*100mm Expansion Screw, 4pcs.

SKU : EB-BGB04

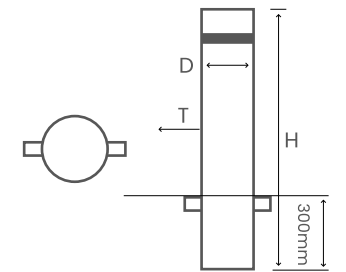
STAINLESS STEEL FLAT TOP
BELOW GROUND BOLLARD



TOP FINISH



DIMENSIONS		
D-Diameter	H-Height	T-Thickness
Ø90mm	1200/1300mm	3/4mm
Ø114mm	1300/1500mm	3/4mm
Ø140mm	1300/1500mm	4/5mm
Ø168mm	1300/1500mm	4/5mm



Features

- Material Options :** SS 304 / SS 316 / Galvanized Steel / Galvanized Steel With Powder Coating
- Reflective Film & Reflective Groove (Optional) :** 50mm Reflective Film & Reflective Groove
- Top :** Welding Flat Top As Standard / Domed Top & Bevel Top As Optional
- Install Accessories (Optional) :** M12*100mm Expansion Screw, 4pcs.

BELOW GROUND BOLLARDS

SKU : EB-BGB05

STAINLESS STEEL SLANT TOP
BELOW GROUND BOLLARD



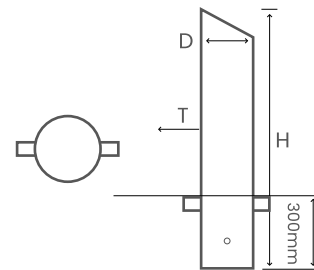
TOP FINISH



BOTTOM FINISH

DIMENSIONS

D-Diameter	H-Height	T-Thickness
Ø90mm	1200/1300mm	3/4mm
Ø114mm	1300/1500mm	3/4mm
Ø140mm	1300/1500mm	4/5mm
Ø168mm	1300/1500mm	4/5mm



Features

- Material Options :** SS 304 / SS 316 / Galvanized Steel / Galvanized Steel With Powder Coating
- Reflective Film & Reflective Groove (Optional) :** 50mm Reflective Film & Reflective Groove
- Top :** Welding Flat Top As Standard / Domed Top & Bevel Top As Optional
- Install Accessories (Optional):** M12*100mm Expansion Screw, 4pcs.

REMOVABLE BOLLARDS



**GUIDING YOU SAFELY
EVERY STEP OF THE WAY**

REMOVABLE BOLLARDS

SKU : EB-RMB01

POWDER COATED STEEL REMOVABLE BOLLARD WITH PADLOCK AND HANDLE ON TOP



TOP FINISH

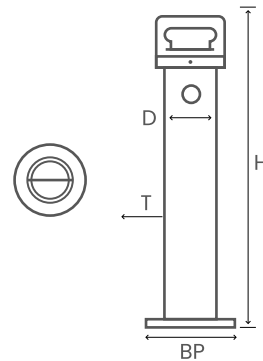


BOTTOM FINISH



DIMENSIONS

D-Diameter	H-Height	T-Thickness	BP-Base Plate
Ø150mm	800mm	3mm	200 x 200 x T6



Features

- Material Options :** SS 304 / SS 316 / Galvanized Steel / Galvanized Steel With Powder Coating
- Reflective Film & Reflective Groove (Optional) :** 50mm Reflective Film & Reflective Groove
- Top :** Welding Flat Top As Standard / Domed Top & Bevel Top As Optional
- Install Accessories (Optional):** M12*100mm Expansion Screw, 4pcs.

SKU : EB-RMB02

POWDER COATED STEEL REMOVABLE BOLLARD WITH SURFACE MOUNTED DISK AND HANDLE ON TOP



TOP FINISH

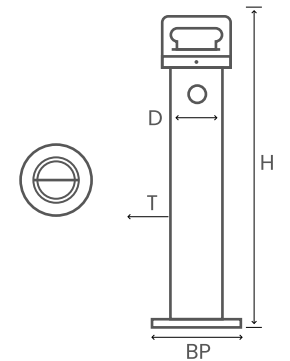


BOTTOM FINISH



DIMENSIONS

D-Diameter	H-Height	T-Thickness	BP-Base Plate
Ø90mm	1020mm	3mm	Ø 220mm
Ø114mm	1020mm	3mm	Ø 220mm



Features

- Material Options :** SS 304 / SS 316 / Galvanized Steel / Galvanized Steel With Powder Coating
- Reflective Film & Reflective Groove (Optional) :** 50mm Reflective Film & Reflective Groove
- Top :** Welding Flat Top As Standard / Domed Top & Bevel Top As Optional
- Install Accessories (Optional):** M12*100mm Expansion Screw, 4pcs.

REMOVABLE BOLLARDS

SKU : EB-RMB03

STAINLESS STEEL REMOVABLE BOLLARD WITH SURFACE MOUNTED DISK AND HANDLE ON TOP



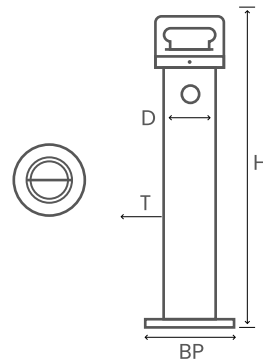
TOP FINISH



BOTTOM FINISH

DIMENSIONS

D-Diameter	H-Height	T-Thickness	BP-Base Plate
Ø90mm	1020mm	3mm	Ø 220mm
Ø114mm	1020mm	3mm	Ø 220mm



Features

- Material Options :** SS 304 / SS 316 / Galvanized Steel / Galvanized Steel With Powder Coating
- Reflective Film & Reflective Groove (Optional) :** 50mm Reflective Film & Reflective Groove
- Top :** Welding Flat Top As Standard / Domed Top & Bevel Top As Optional
- Install Accessories (Optional):** M12*100mm Expansion Screw, 4pcs.

SKU : EB-RMB-04

STAINLESS STEEL FLAT TOP REMOVABLE BOLLARDS



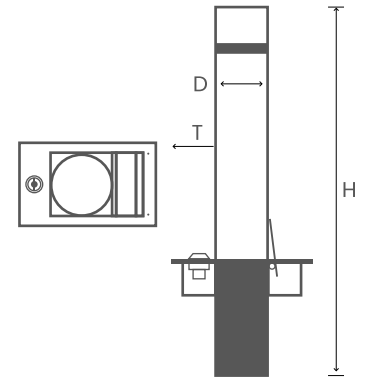
TOP FINISH



BOTTOM FINISH

DIMENSIONS

D-Diameter	H-Height	T-Thickness	BP-Base Plate
Ø90mm	900/1000mm	3/4mm	150 x 200 x 300
Ø114mm	1000/1200/1300mm	3/4mm	165 x 215 x 300
Ø140mm	1000/1200/1300mm	3/4mm	200 x 250 x 300
Ø165mm	1000/1200/1300mm	3/4mm	225 x 275 x 300



Features

- Material Options :** SS 304 / SS 316 / Galvanized Steel / Galvanized Steel With Powder Coating
- Reflective Film & Reflective Groove (Optional) :** 50mm Reflective Film & Reflective Groove
- Top :** Welding Flat Top As Standard / Domed Top & Bevel Top As Optional
- Install Accessories (Optional):** M12*100mm Expansion Screw, 4pcs.

REMOVABLE BOLLARDS

SKU : EB-RMB05

STAINLESS STEEL DOMED TOP REMOVABLE BOLLARDS



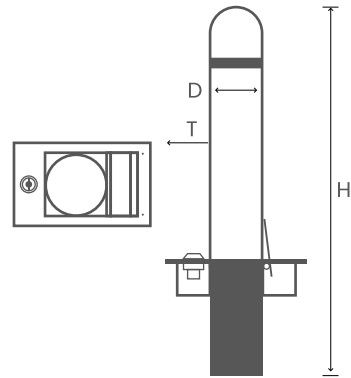
TOP FINISH



BOTTOM FINISH

DIMENSIONS

D-Diameter	H-Height	T-Thickness	BP-Base Plate
Ø90mm	900/1000mm	3/4mm	150 x 200 x 300
Ø114mm	1000/1200/1300mm	3/4mm	165 x 215 x 300
Ø140mm	1000/1200/1300mm	3/4mm	200 x 250 x 300
Ø165mm	1000/1200/1300mm	3/4mm	225 x 275 x 300



Features

Material Options: SS 304 / SS 316 / Galvanized Steel / Galvanized Steel With Powder Coating

Reflective Film & Reflective Groove (Optional): 50mm Reflective Film & Reflective Groove

Top: Welding Flat Top As Standard / Domed Top & Bevel Top As Optional

Install Accessories (Optional): M12*100mm Expansion Screw, 4pcs.

SKU : EB-RMB06

STAINLESS STEEL SLANT TOP REMOVABLE BOLLARDS



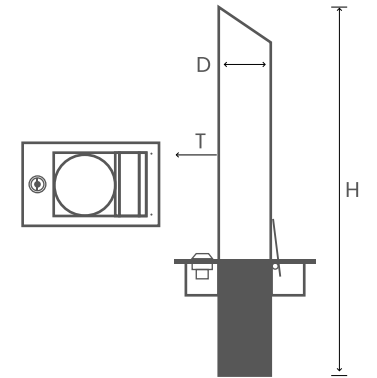
TOP FINISH



BOTTOM FINISH

DIMENSIONS

D-Diameter	H-Height	T-Thickness	BP-Base Plate
Ø90mm	900/1000mm	3/4mm	150 x 200 x 300
Ø114mm	1000/1200/1300mm	3/4mm	165 x 215 x 300
Ø140mm	1000/1200/1300mm	3/4mm	200 x 250 x 300
Ø165mm	1000/1200/1300mm	3/4mm	225 x 275 x 300



Features

Material Options: SS 304 / SS 316 / Galvanized Steel / Galvanized Steel With Powder Coating

Reflective Film & Reflective Groove (Optional): 50mm Reflective Film & Reflective Groove

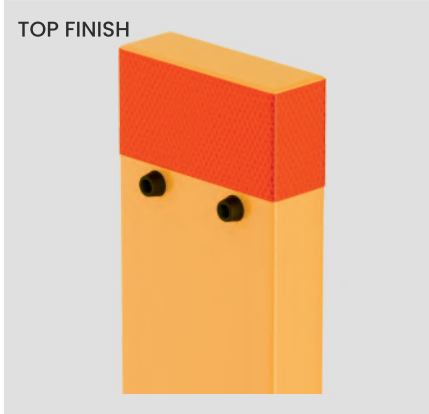
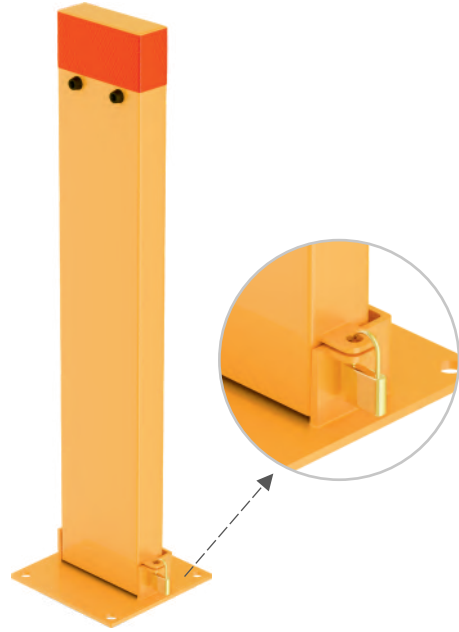
Top: Welding Flat Top As Standard / Domed Top & Bevel Top As Optional

Install Accessories (Optional): M12*100mm Expansion Screw, 4pcs.

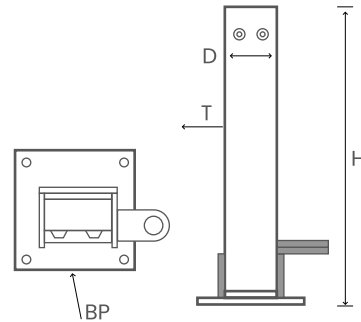
FOLDABLE BOLLARDS

SKU : EB-FDB01

POWDER COATED SURFACE MOUNTED RECTANGULAR FOLDABLE BOLLARD WITH PADLOCK



DIMENSIONS			
D-Diameter	H-Height	T-Thickness	BP-Base Plate
Ø150mm	800mm	3mm	200 x 200 x T6



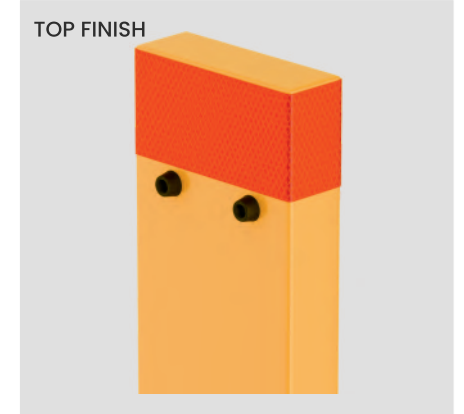
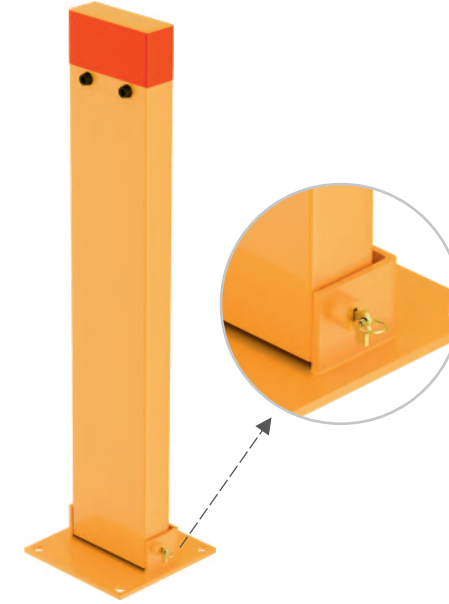
Features

- Material Options:** SS 304 / SS 316 / Galvanized Steel / Galvanized Steel With Powder Coating
- Reflective Film & Reflective Groove (Optional):** 50mm Reflective Film & Reflective Groove
- Top:** Welding Flat Top As Standard / Domed Top & Bevel Top As Optional
- Install Accessories (Optional):** M12*100mm Expansion Screw, 4pcs.

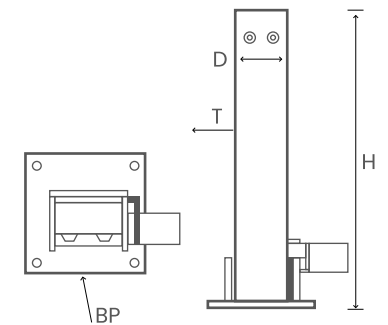
FOLDABLE BOLLARDS

SKU : EB-FDB02

POWDER COATED SURFACE MOUNTED RECTANGULAR FOLDABLE BOLLARD WITH MOUNTED LOCK



DIMENSIONS			
D-Diameter	H-Height	T-Thickness	BP-Base Plate
Ø150mm	800mm	3mm	200 x 200 x T6



Features

- Material Options:** SS 304 / SS 316 / Galvanized Steel / Galvanized Steel With Powder Coating
- Reflective Film & Reflective Groove (Optional):** 50mm Reflective Film & Reflective Groove
- Top:** Welding Flat Top As Standard / Domed Top & Bevel Top As Optional
- Install Accessories (Optional):** M12*100mm Expansion Screw, 4pcs.

FOLDABLE BOLLARDS

SKU : EB-FDB03

POWDER COATED SURFACE MOUNTED FLEXIBLE BOLLARD WITH CAP ON TOP



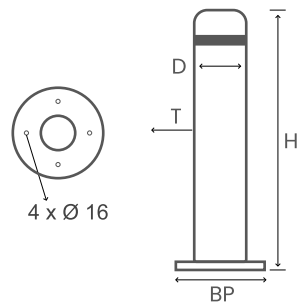
TOP FINISH



BOTTOM FINISH

DIMENSIONS

D-Diameter	H-Height	T-Thickness	BP-Base Plate
Ø90mm	900mm	3mm	Ø210 x T10
Ø140mm	1200mm	3mm	Ø260 x T10



Features

- Material Options :** SS 304 / SS 316 / Galvanized Steel / Galvanized Steel With Powder Coating
- Reflective Film & Reflective Groove (Optional) :** 50mm Reflective Film & Reflective Groove
- Top :** Welding Flat Top As Standard / Domed Top & Bevel Top As Optional
- Install Accessories (Optional):** M12*100mm Expansion Screw, 4pcs.

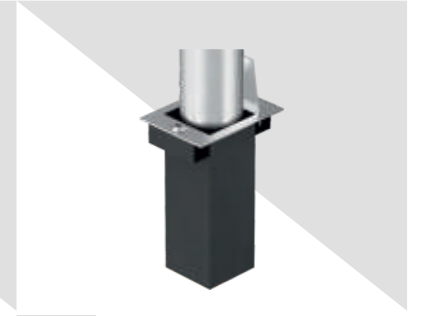
FIXING BOXES



ROUND FIXING BOX WITH PAD LOCK



SQUARE FIXING BOX WITH PAD LOCK



SQUARE FIXING BOX WITH KEY LOCK

SPECIAL PROCESS

Laser Etching (Clear)



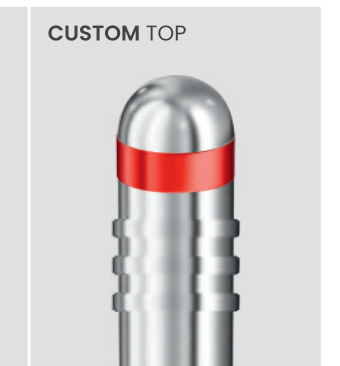
Laser Etching (Hard)



Laser Engraving



BOLLARD CAP STYLE

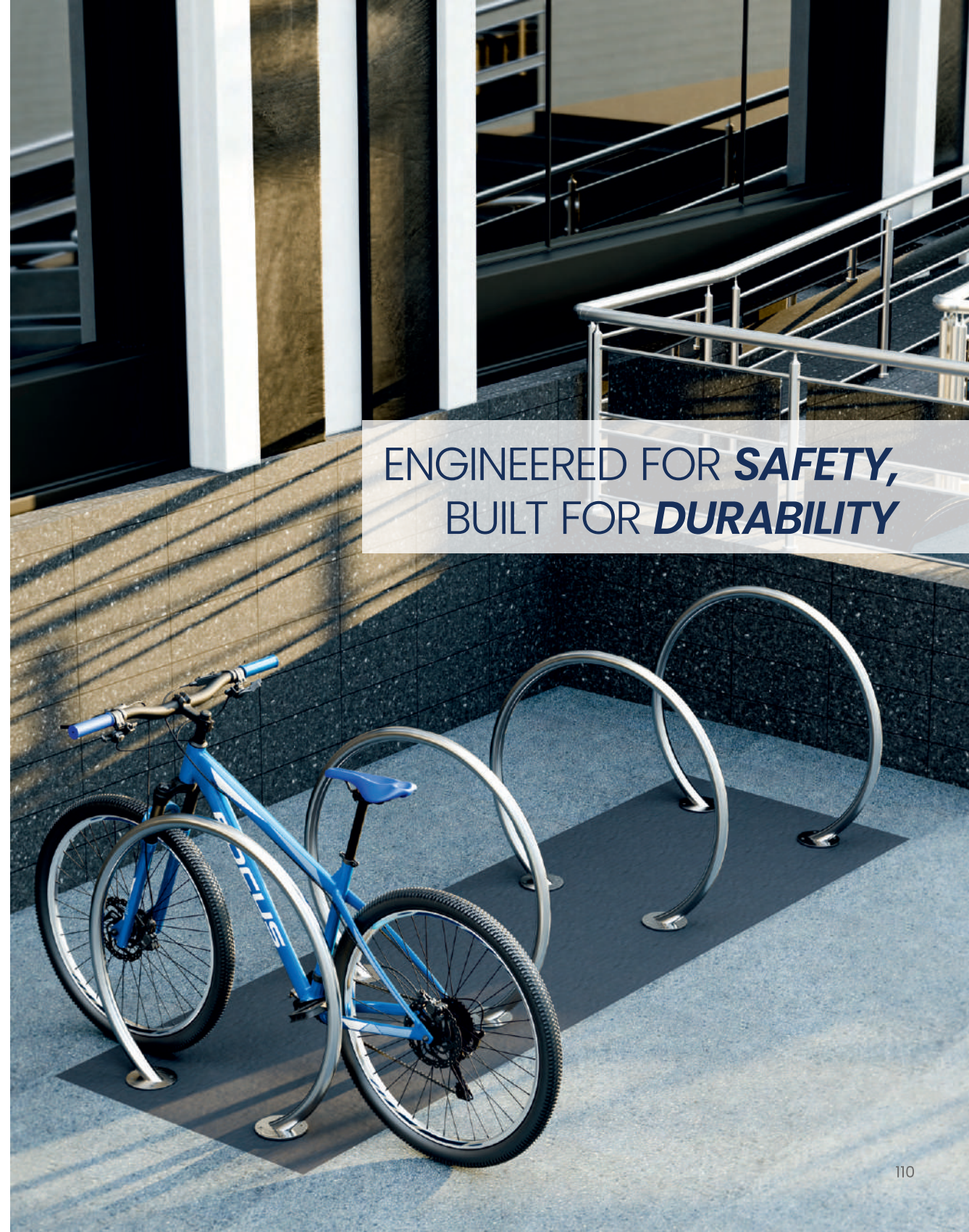


*All dimensions are shown in mm. All dimensions are subject to change without notice. Colours shown are as close to actual colours as printing processes allow.



BICYCLE RACKS

Eminent Overseas manufactures durable and stylish cycle parking racks designed to offer secure and organized bicycle storage. Crafted from high-quality materials such as stainless steel and galvanized steel with powder-coating, our racks are built to withstand heavy use and harsh weather conditions. Available in various designs and capacities, they accommodate different bike sizes and styles, making them ideal for public spaces, commercial buildings, schools, universities, factories and residential areas. Our cycle parking racks ensure ease of use and maximum security, encouraging cycling as a sustainable and convenient mode of transportation. Easy to install and maintain, they provide a reliable solution for bicycle parking. We are committed to promote eco-friendly practices through innovative and practical products that enhance the urban landscape and support a healthier lifestyle.



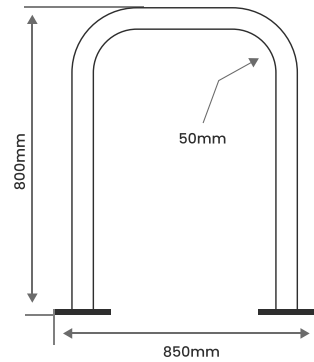
ENGINEERED FOR **SAFETY**,
BUILT FOR **DURABILITY**

- ▼ Designed to provide a safe bicycle storage solution in commercial applications
- ▼ Galvanised, powder coated and stainless steel options
- ▼ Surface mount
- ▼ Hoop tops
- ▼ Ideal for schools, shopping centres, walkways or warehouses



SKU : EB-CR001

STAINLESS STEEL / GALVANIZED STEEL ROUNDED SQUARE STYLE SURFACE MOUNTED BICYCLE RACK

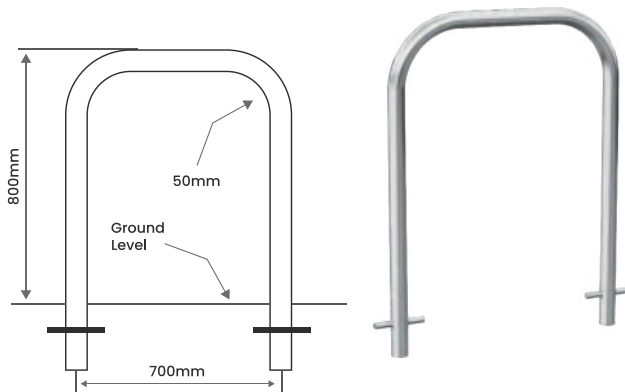


DIMENSIONS	
Diameter	50mm
Width	850mm
Height	800mm
Thickness	2/3/4mm

SKU : EB-CR002

STAINLESS STEEL / GALVANIZED STEEL ROUNDED SQUARE STYLE BELOW GROUND BICYCLE RACK

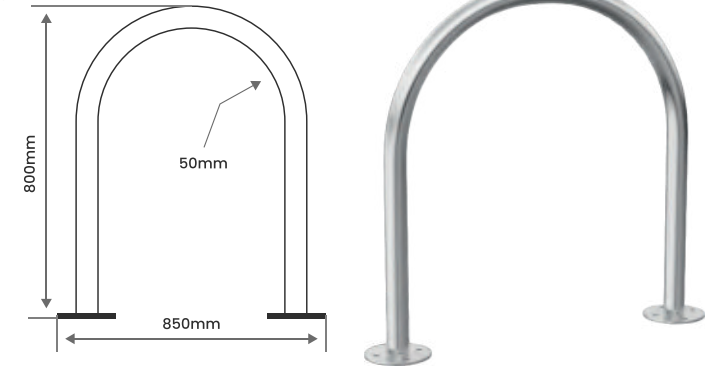
DIMENSIONS	
Diameter	50mm
Width	700mm
Height	800mm
Thickness	2/3/4mm



SKU : EB-CR003

STAINLESS STEEL / GALVANIZED STEEL HOOP STYLE SURFACE MOUNTED BICYCLE RACK

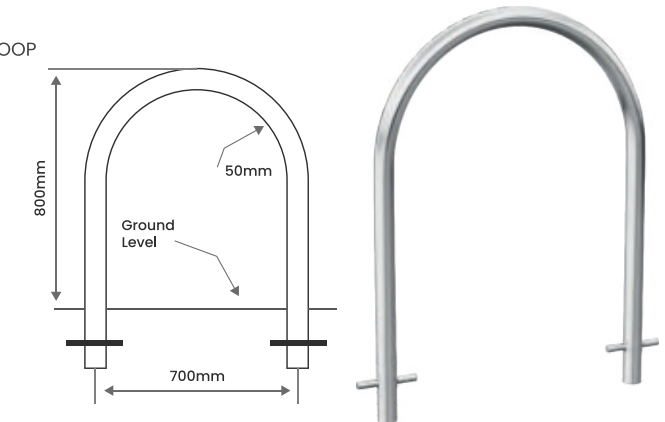
DIMENSIONS	
Diameter	50mm
Width	850mm
Height	800mm
Thickness	2/3/4mm



SKU : EB-CR004

STAINLESS STEEL / GALVANIZED STEEL HOOP STYLE BELOW GROUND BICYCLE RACK

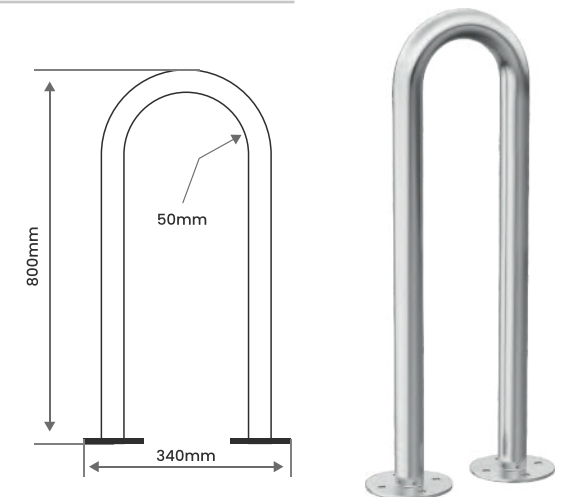
DIMENSIONS	
Diameter	50mm
Width	700mm
Height	800mm
Thickness	2/3/4mm



SKU : EB-CR005

STAINLESS STEEL / GALVANIZED STEEL SLIM HOOP STYLE SURFACE MOUNTED BICYCLE RACK

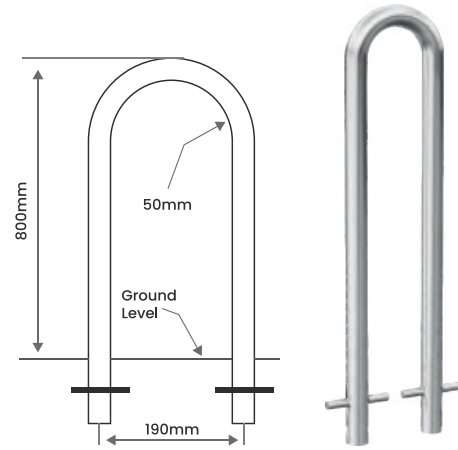
DIMENSIONS	
Diameter	50mm
Width	340mm
Height	800mm
Thickness	2/3/4mm



SKU : EB-CR006

STAINLESS STEEL / GALVANIZED STEEL SLIM HOOP STYLE BELOW GROUND BICYCLE RACK

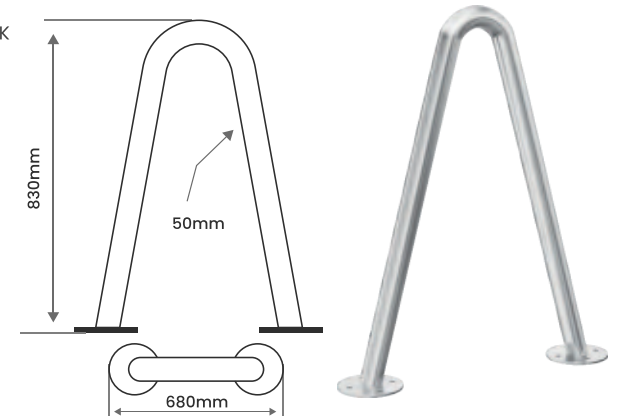
DIMENSIONS	
Diameter	50mm
Width	190mm
Height	800mm
Thickness	2/3/4mm



SKU : EB-CR009

STAINLESS STEEL / GALVANIZED STEEL ROUNDED TRIANGLE STYLE SURFACE MOUNTED BICYCLE RACK

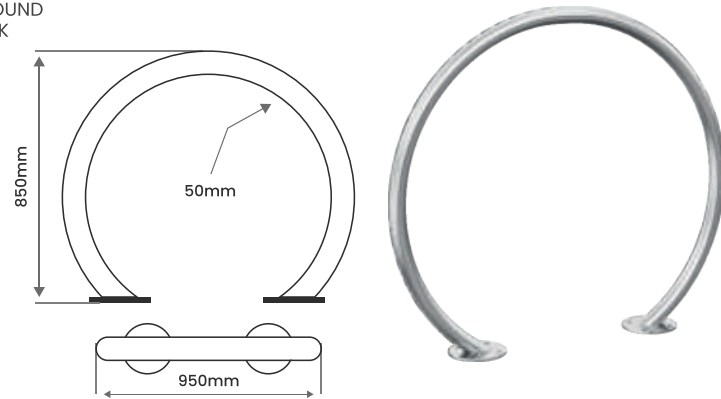
DIMENSIONS	
Diameter	50mm
Width	680mm
Height	830mm
Thickness	2/3/4mm



SKU : EB-CR007

STAINLESS STEEL / GALVANIZED STEEL ROUND STYLE SURFACE MOUNTED BICYCLE RACK

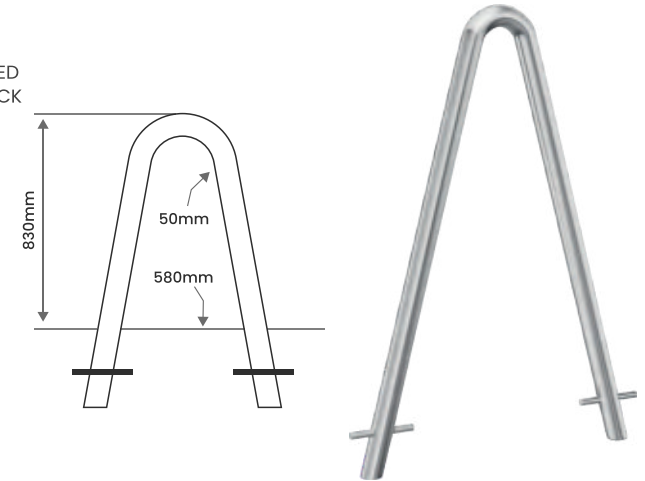
DIMENSIONS	
Diameter	50mm
Width	950mm
Height	850mm
Thickness	2/3/4mm



SKU : EB-CR010

STAINLESS STEEL / GALVANIZED STEEL ROUNDED TRIANGLE STYLE BELOW GROUND BICYCLE RACK

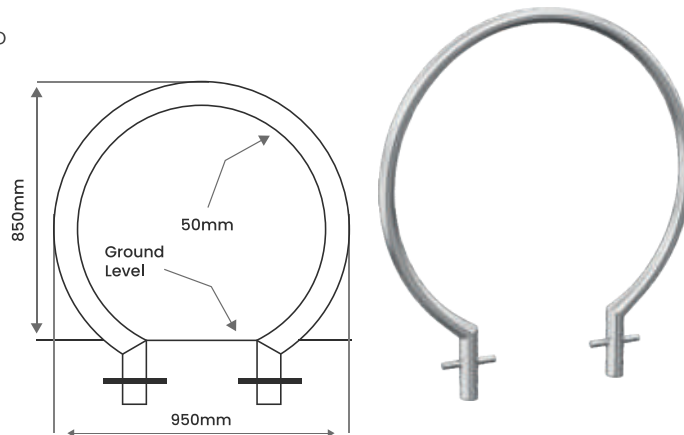
DIMENSIONS	
Diameter	50mm
Width	580mm
Height	830mm
Thickness	2/3/4mm



SKU : EB-CR008

STAINLESS STEEL / GALVANIZED STEEL ROUND STYLE BELOW GROUND BICYCLE RACK

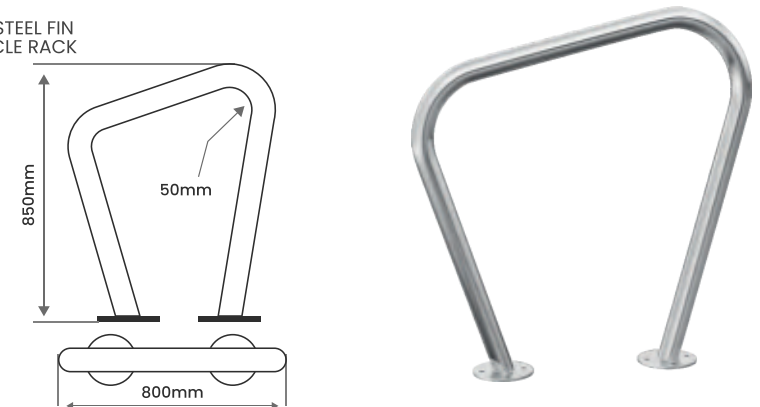
DIMENSIONS	
Diameter	50mm
Width	950mm
Height	850mm
Thickness	2/3/4mm



SKU : EB-CR011

STAINLESS STEEL / GALVANIZED STEEL FIN STYLE SURFACE MOUNTED BICYCLE RACK

DIMENSIONS	
Diameter	50mm
Width	800mm
Height	850mm
Thickness	2/3/4mm



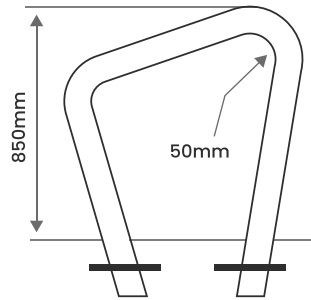
BICYCLE RACKS

SKU : EB-CR012

STAINLESS STEEL / GALVANIZED STEEL FIN
STYLE BELOW GROUND BICYCLE RACK

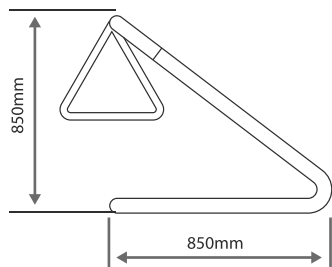
DIMENSIONS

Diameter	50mm
Width	800mm
Height	850mm
Thickness	2/3/4mm



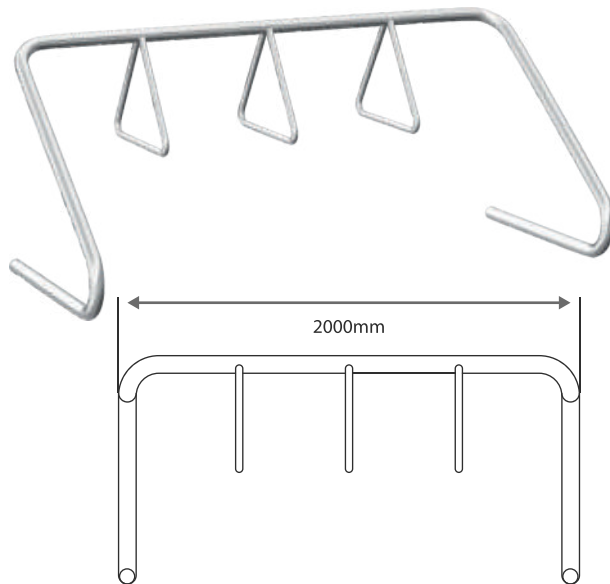
SKU : EB-CR013

STAINLESS STEEL / GALVANIZED STEEL MULTI
STORAGE SURFACE MOUNTED BICYCLE RACK



DIMENSIONS

Diameter	50mm
Width	2000mm
Height	850mm
Thickness	3mm



Features

Material Options : SS 304 / SS 316 / Galvanized Steel

DECADES OF *DURABILITY* UNMATCHED *QUALITY*



BICYCLE RACKS

SKU : EB-CR014

STAINLESS STEEL / GALVANIZED STEEL
POWDER COATED STEEL WALL MOUNTED
BICYCLE RACK



DIMENSIONS

Diameter	32mm
Width	600mm
Height	705mm
Thickness	3mm

Features

Material Options : SS 304 / SS 316 /
Black Powder Coated

General Notes On All Products:

Slight color and finishing variations (micro-cracks, circle, oxide arising, shades differences and surface coat etc.) are natural phenomenon due to the production and maturation phase: no claims or requests can be raised for color variations connected to materials nature and to atmospheric conditions during production and maturation phase. In no case it shall be intended as nonconformity of the product.

Maintenance Recommendation:

Eminent recommends to periodically clean stainless steel products to eliminate salt, dust and other deposits which may alter the protective layer of the material. Washing, as well as making the product clean, reduces the risk of corrosion. Normally it's sufficient to simply wash the stainless steel with water, detergent and a soft cloth. In the case of lime scale deposits, use a cream all- purpose cleaner with a soft cloth; while in case of thicker deposits, very hot water with 1/4 of vinegar is necessary. For grease and oil stains, use a mild liquid dishwashing product. For rust stains, use a mild cream using a soft damp cloth. For an optimal cleaning of stainless steel, we uses a specific cleaner to remove dirt, stains and processing residues, which can be provided on request.

Painted surfaces which become scratched can be restored, by using the colour touch-up sprays. cans of various brands standard RAL are available upon request at additional cost. The colour should be sprayed from a distance of 10-20 cm onto the surface which has been previously cleaned from dust and dirt. Drying is achieved in about 15 minutes. If however, on steel products, damage is deep and breaks the zinc protective coating below the paint, it will be necessary to proceed with an application of a zinc spray between the phase of cleaning and repainting. Eminent can, upon request, provide an aerosol for retouching the zinc coating. Minor surface defects (smears, dents, stains) may be repaired.

The most common mistake made by cleaners is over using detergent cleaners especially using string mops. Air dries & evaporates water off and leave detergent film on the surface. It becomes dangerous when water reactivates the detergent film and cause slips and falls.

Followings are few steps that can be followed for a routine cleaning and maintenance (once a day, a week or as required depending on situation:

- 1.) Sweep, if required, to remove any dry surface soilage.
- 2.) Dilute any water based Caustic-Sodium Hydroxide free floor cleaner and scrub the surface with (warm) water and leave for 5-10 minutes, this melts any grease and loosens any contaminants. Other water base clears may be used but ensure they have no caustics or corrosive chemicals.
- 3.) Methylated spirit or vinegar can be used by mixing with hot water for cleaning. However a second rinse is recommended with clean water to remove any left contamination.
- 4.) Rinse, then wet vacuum extracts the total area.
- 5.) In smaller areas or residential use a micro fiber mop, rinsing frequently.
- 6.) For larger areas and commercial, clean by using an auto scrub vacuum, with brushes not pads.
- 7.) First scrub the floor with any water based Caustic-Sodium Hydroxide free floor cleaner and leave it for 5 to 10 mins before rinse pickup.
- 8.) Do not turn or rotate wheels on "the treated" areas, while vehicle is stationary.
- 9.) No surface coating, sealers, abrasives (e.g. Ajax), polishes, or corrosives (e.g. caustic) are to be used on installation as these will destroy the effect of the etching and anti slip characteristics of tactiles/stair nosings.

General Routine Maintenance Guidelines:

The security of the fixings / adhesive should be checked on a regular basis by touching the pieces with hand with a gentle pressure only. Circumstances will vary, based upon the volume of foot traffic etc. but as a guide, monthly inspections would be advisable.

When installing Tactile Indicators / Road Studs / Edge Protectors / Skate Deterrents / Stair Nosing / Grab Bars / Bollards / Bicycle Racks, standard personal protective equipment should be worn as a minimum. These include 3M dust mask (or similar), safety goggles, heavy duty gloves and overalls, helmet if required based on site surroundings. Dust residue can be disposed of using normal waste disposal methods. No special permissions or licenses are required until working in hazardous conditions/sites.

General Maintenance Guidelines

Condition of Surface	Cleaning Agent	Method of Application
Atmospheric and construction dirt	Soap/Detergent and water	Sponge and rag. Rinse with water, wipe dry
Heavier dirt containing oil & grease	Organic solvents like acetone benzene and Xylene	Sponge and rag. Rinse with clean water, wipe dry. Observe safety rules (goggles, gloves etc.)
Rust discoloration from other materials	Commercial pickling pastes, diluted nitric acid (15% by volume)	Clean cloth or sponge - let stand for 20min. Rinse and repeat 20 min. Rinse & repeat if necessary. Observe safety rules (goggles, gloves etc.)
Heat tint or heavy discoloration	5% oxalic acid (warm) 5-15% nitric acid or 5-10% phosphoric acid 7 follow with neutralizing rinse	Swab or immerse. Observe safety rules (goggles, gloves etc.)
Oil grease, fatty acids (without swabbing)	4-6% solution of sodium metasilicate/ trisodium phosphate	No swabbing required
Oil grease, fatty acids (with swabbing)	Carbon tetrachloride, trichloroethylene, acetone, kerosene, gasoline, alcohol	Rub with cloth. Observe safety rules (goggles & gloves etc.)
Hand and fingerprint smears	Calcium carbonate fine powder, wax based polish	Rub with cloth

These technical information represents average properties obtained from production lots. If specific test results are required, samples should be taken from current production lots. Durability classification is based on product knowledge under India's Gujarat State's climatic conditions. Information is subject to change without notice. All colours are indicative only. Please confirm all technical, colour and installation specifications are applicable to your application. Do Not use High Speed Jet Sprays for cleaning floors in any areas with tactiles installed.

In case of any doubt about the proper maintenance procedure, please contact the Eminent Overseas' office for advice.



©2024 Eminent Overseas. All Rights Reserved.

All images, information, and brand names mentioned in this catalog are the property of their respective owners. Any use of these materials without proper authorization is prohibited. All rights are reserved by Eminent Overseas. Unauthorized reproduction, distribution, or use of any part of this catalog is strictly prohibited and may result in legal action.



R K Prime. Office No. 920, 9th Floor,
Near Nana Mava Circle, Beside Silver Heights,
150 Ft. Ring Road. Rajkot - 360004 (Gujarat) India.

Call Us: +91 96386 13141, +91 99981 99968, +91 99137 98273

Email:

Domestic Enquiries: info@tactileindicators.in

Overseas Enquiries: exports@tactileindicators.in

Follow Us:

